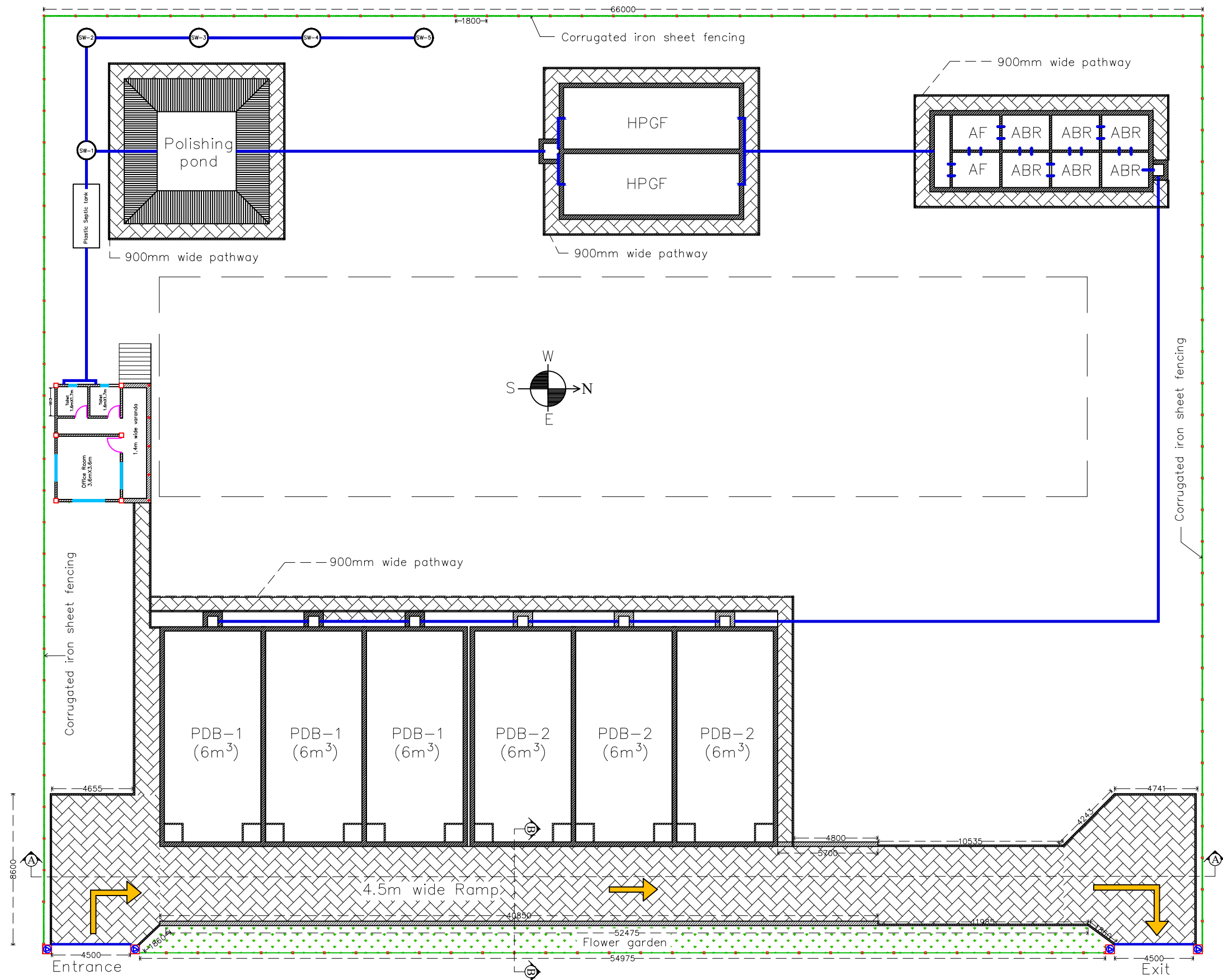


**DESIGN OF FAECAL SLUDGE TREATMENT PLANT (FSTP)  
FOR  
GAZIPUR CITY CORPORATION**



**Design by:**  
 Md. Sumon Ali  
 Sanitation Engineering Advisor  
 SNV Netherlands development organisation  
 Urban Sanitation Programme

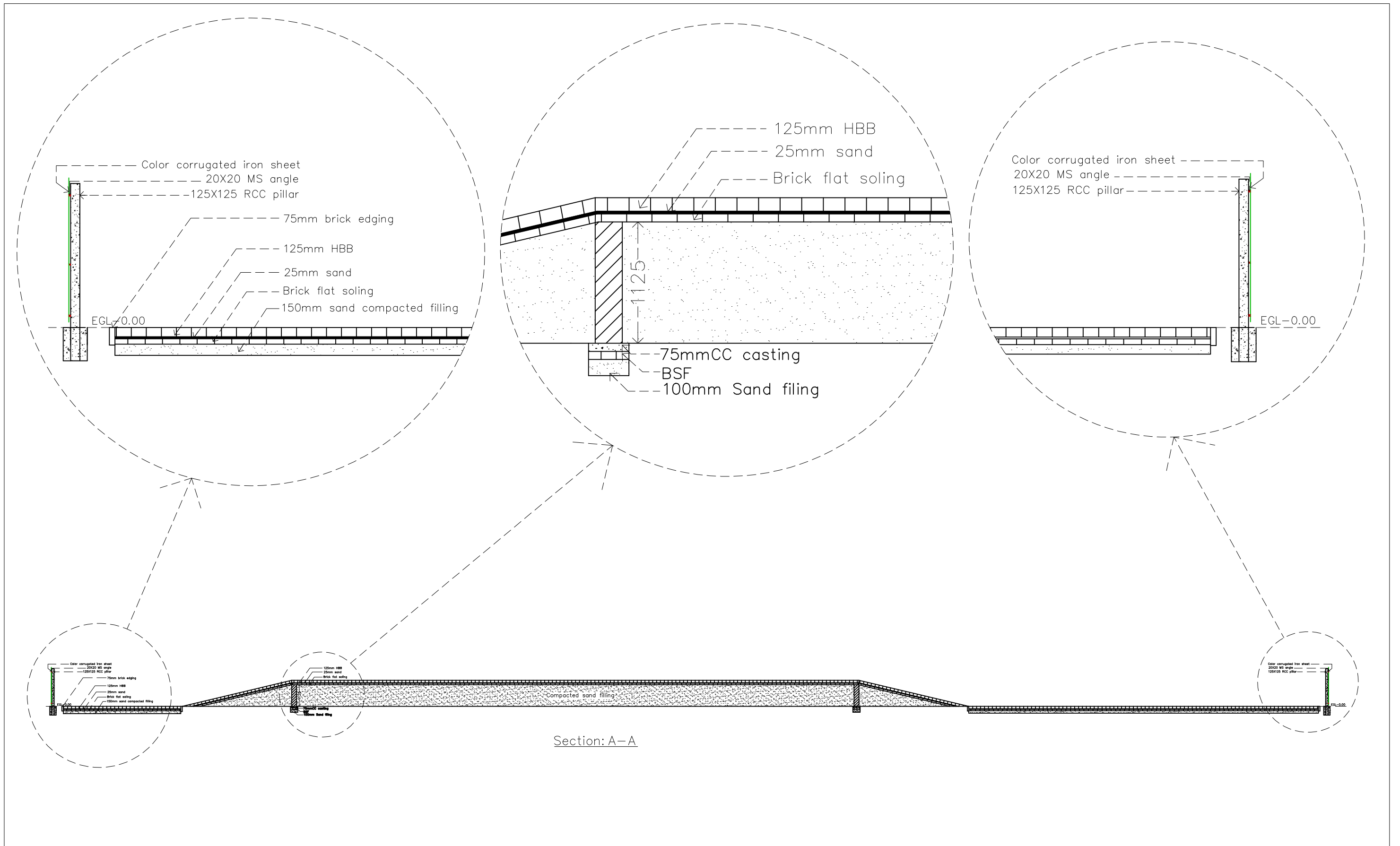
**Project Name:**  
 Faecal Sludge Treatment  
 Plant (FSTP)

**Project Location:**  
 Meghdubi, Ward-40  
 Zone-2  
 Gazipur City Corporation  
 Gazipur

**Implemented by:**  
 Gazipur City Corporation  
 &SNV Netherlands  
 Development Organization

**Drawing Title:**  
 Layout

**Sheet No:**  
**01**



**Design by:**  
Md. Sumon Ali  
Sanitation Engineering Advisor  
SNV Netherlands development organisation  
Urban Sanitation Programme

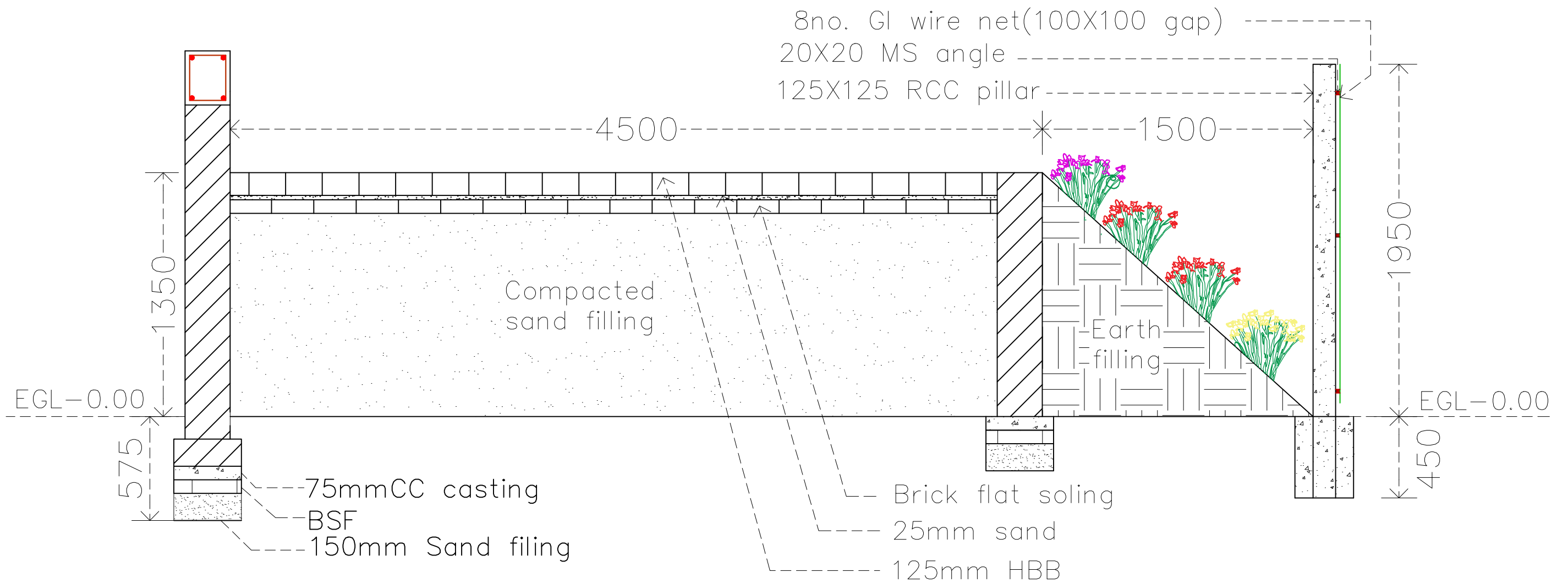
**Project Name:**  
Faecal Sludge Treatment  
Plant (FSTP)

**Project Location:**  
Meghdubi, Ward-40  
Zone-2  
Gazipur City Corporation  
Gazipur

**Implemented by:**  
Gazipur City Corporation  
&SNV Netherlands  
Development Organization

**Drawing Title:**  
Section A-A

**Sheet No:**  
**02**



## Section: B-B



**Design by:**  
Md. Sumon Ali  
Sanitation Engineering Advisor  
SNV Netherlands development organisation  
Urban Sanitation Programme

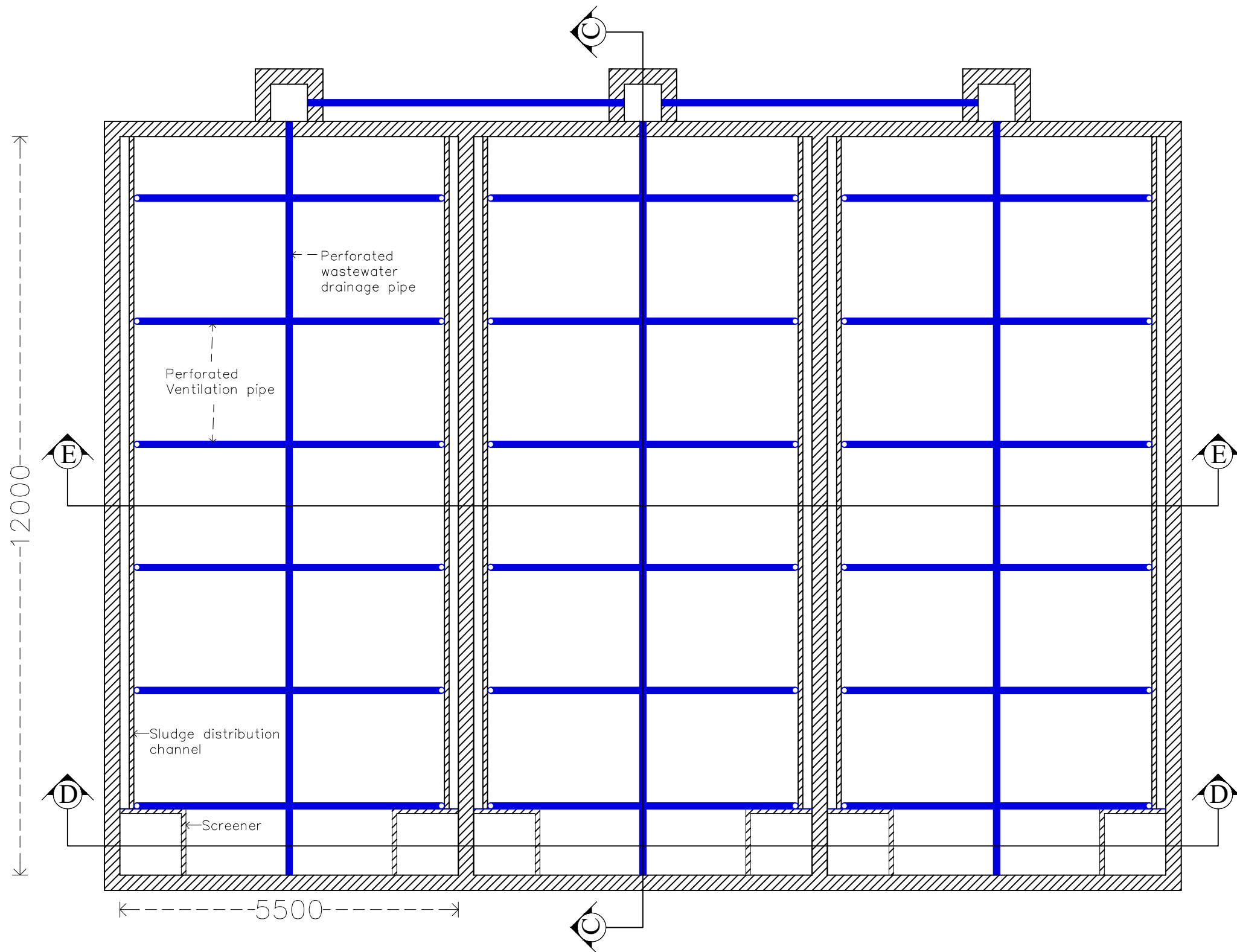
**Project Name:**  
Faecal Sludge Treatment  
Plant (FSTP)

**Project Location:**  
Meghdubi, Ward-40  
Zone-2  
Gazipur City Corporation  
Gazipur

**Implemented by:**  
Gazipur City Corporation  
&SNV Netherlands  
Development Organization

**Drawing Titel:**  
Section B-B

**Sheet No:**  
**03**



Detail Plan: PDB-1



**Design by:**  
 Md. Sumon Ali  
 Sanitation Engineering Advisor  
 SNV Netherlands development organisation  
 Urban Sanitation Programme

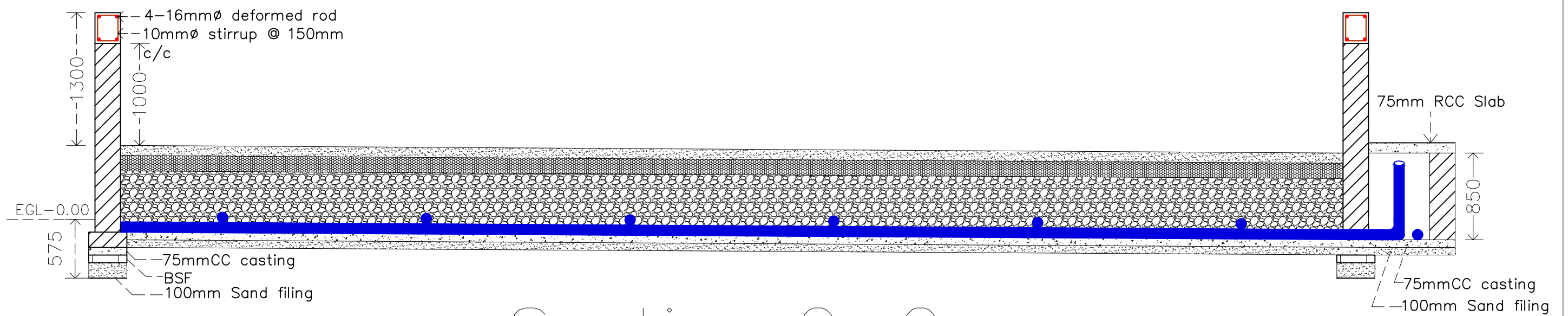
**Project Name:**  
 Faecal Sludge Treatment  
 Plant (FSTP)

**Project Location:**  
 Meghdubi, Ward-40  
 Zone-2  
 Gazipur City Corporation  
 Gazipur

**Implemented by:**  
 Gazipur City Corporation  
 &SNV Netherlands  
 Development Organization

**Drawing Titel:**  
 Details of PDB

**Sheet No:**  
**04**



## Section: C-C



**Design by:**  
 Md. Sumon Ali  
 Sanitation Engineering Advisor  
 SNV Netherlands development organisation  
 Urban Sanitation Programme

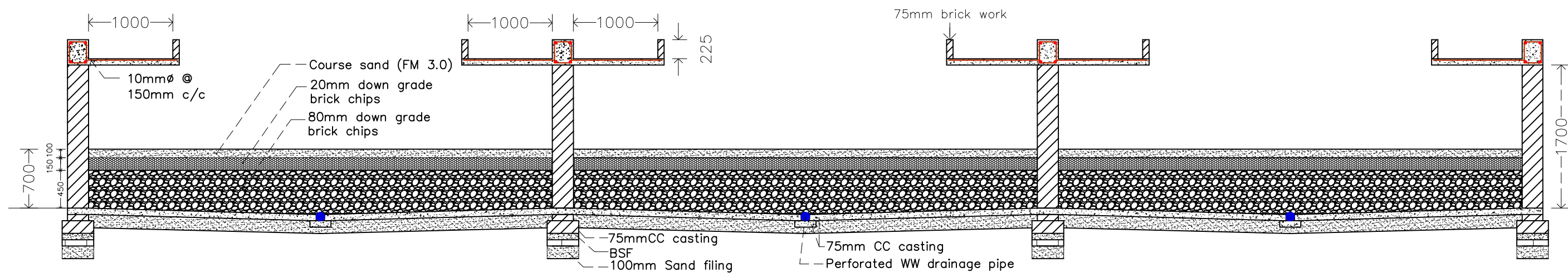
**Project Name:**  
 Faecal Sludge Treatment  
 Plant (FSTP)

**Project Location:**  
 Meghdubi, Ward-40  
 Zone-2  
 Gazipur City Corporation  
 Gazipur

**Implemented by:**  
 Gazipur City Corporation  
 &SNV Netherlands  
 Development Organization

**Drawing Titel:**  
 PDB Section:C-C

**Sheet No:**  
**05**



Section: D-D



**Design by:**  
 Md. Sumon Ali  
 Sanitation Engineering Advisor  
 SNV Netherlands development organisation  
 Urban Sanitation Programme

**Project Name:**  
 Faecal Sludge Treatment  
 Plant (FSTP)

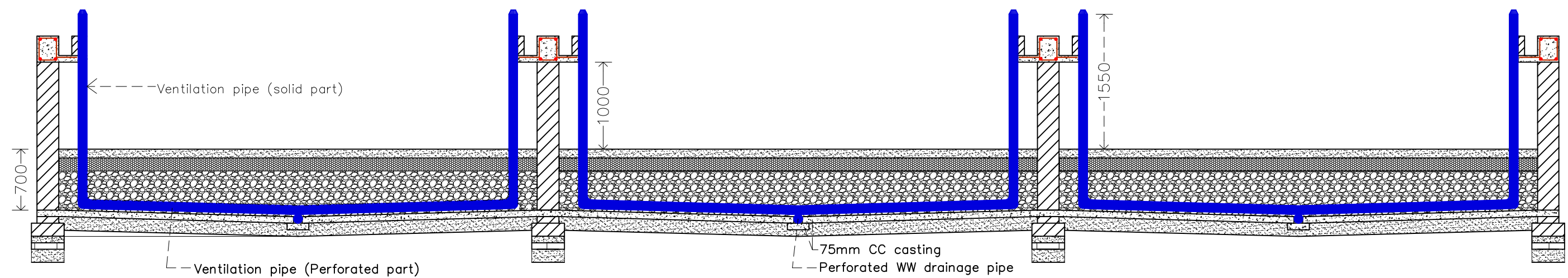
**Project Location:**  
 Meghdubi, Ward-40  
 Zone-2  
 Gazipur City Corporation  
 Gazipur

**Implemented by:**  
 Gazipur City Corporation  
 &SNV Netherlands  
 Development Organization

**Drawing Title:**  
 PDB Section:D-D

**Sheet No:**  
**06**





Section: E-E



**Design by:**  
 Md. Sumon Ali  
 Sanitation Engineering Advisor  
 SNV Netherlands development organisation  
 Urban Sanitation Programme

**Project Name:**  
 Faecal Sludge Treatment  
 Plant (FSTP)

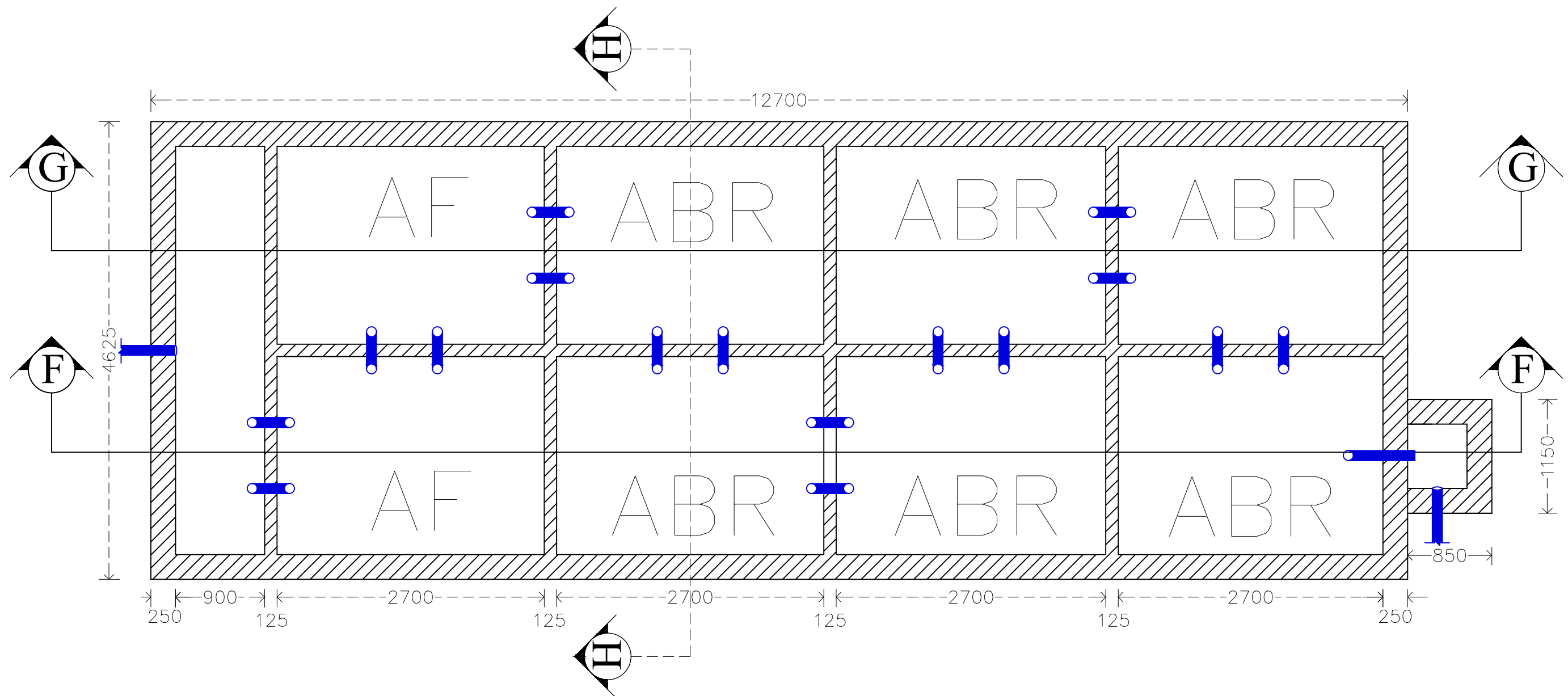
**Project Location:**  
 Meghdubi, Ward-40  
 Zone-2  
 Gazipur City Corporation  
 Gazipur

**Implemented by:**  
 Gazipur City Corporation  
 &SNV Netherlands  
 Development Organization

**Drawing Titel:**  
 PDB Section:E-E

**Sheet No:**  
**07**





Plan: ABR



**Design by:**  
 Md. Sumon Ali  
 Sanitation Engineering Advisor  
 SNV Netherlands development organisation  
 Urban Sanitation Programme

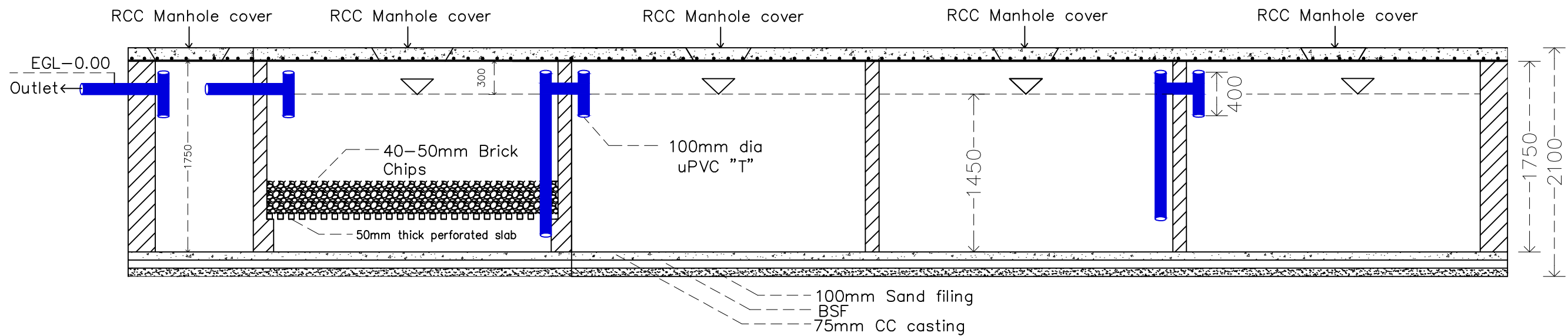
**Project Name:**  
 Faecal Sludge Treatment  
 Plant (FSTP)

**Project Location:**  
 Meghdubi, Ward-40  
 Zone-2  
 Gazipur City Corporation  
 Gazipur

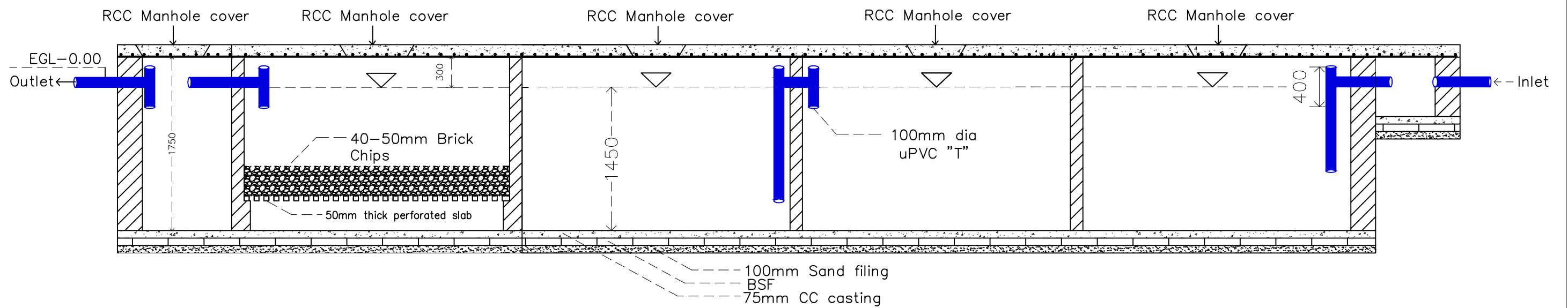
**Implemented by:**  
 Gazipur City Corporation  
 &SNV Netherlands  
 Development Organization

**Drawing Titel:**  
 Details of ABR

**Sheet No:**  
**08**



Section: G—G



Section: F—F



**Design by:**  
 Md. Sumon Ali  
 Sanitation Engineering Advisor  
 SNV Netherlands development organisation  
 Urban Sanitation Programme

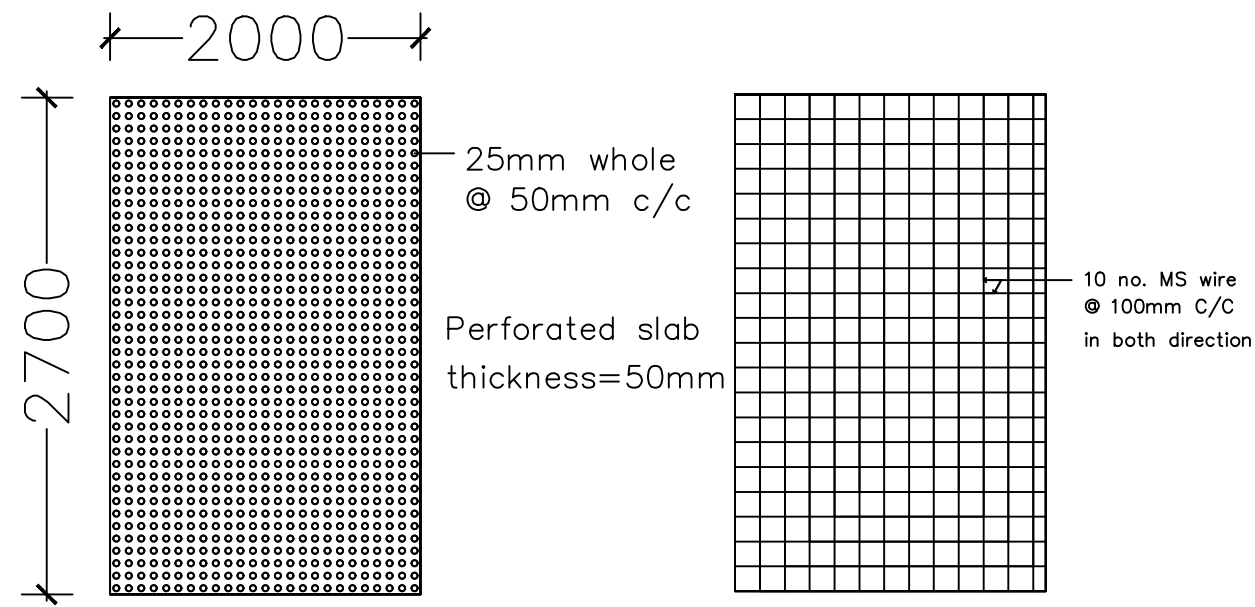
**Project Name:**  
 Faecal Sludge Treatment  
 Plant (FSTP)

**Project Location:**  
 Meghdubi, Ward-40  
 Zone-2  
 Gazipur City Corporation  
 Gazipur

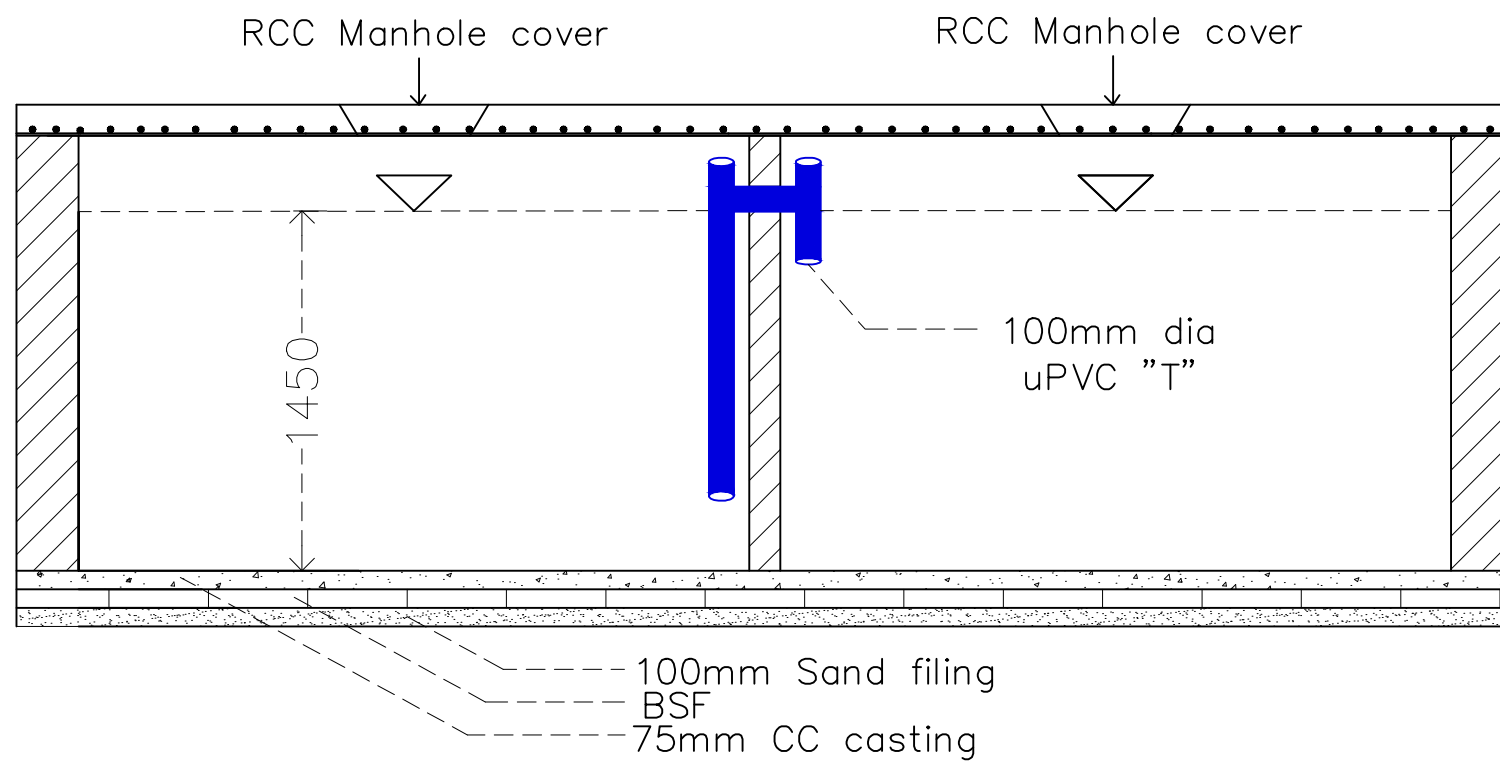
**Implemented by:**  
 Gazipur City Corporation  
 &SNV Netherlands  
 Development Organization

**Drawing Titel:**  
 Section:F—F &  
 G—G

**Sheet No:**  
**09**



## Perforated Slab



## Section: H-H



**Design by:**  
Md. Sumon Ali  
Sanitation Engineering Advisor  
SNV Netherlands development organisation  
Urban Sanitation Programme

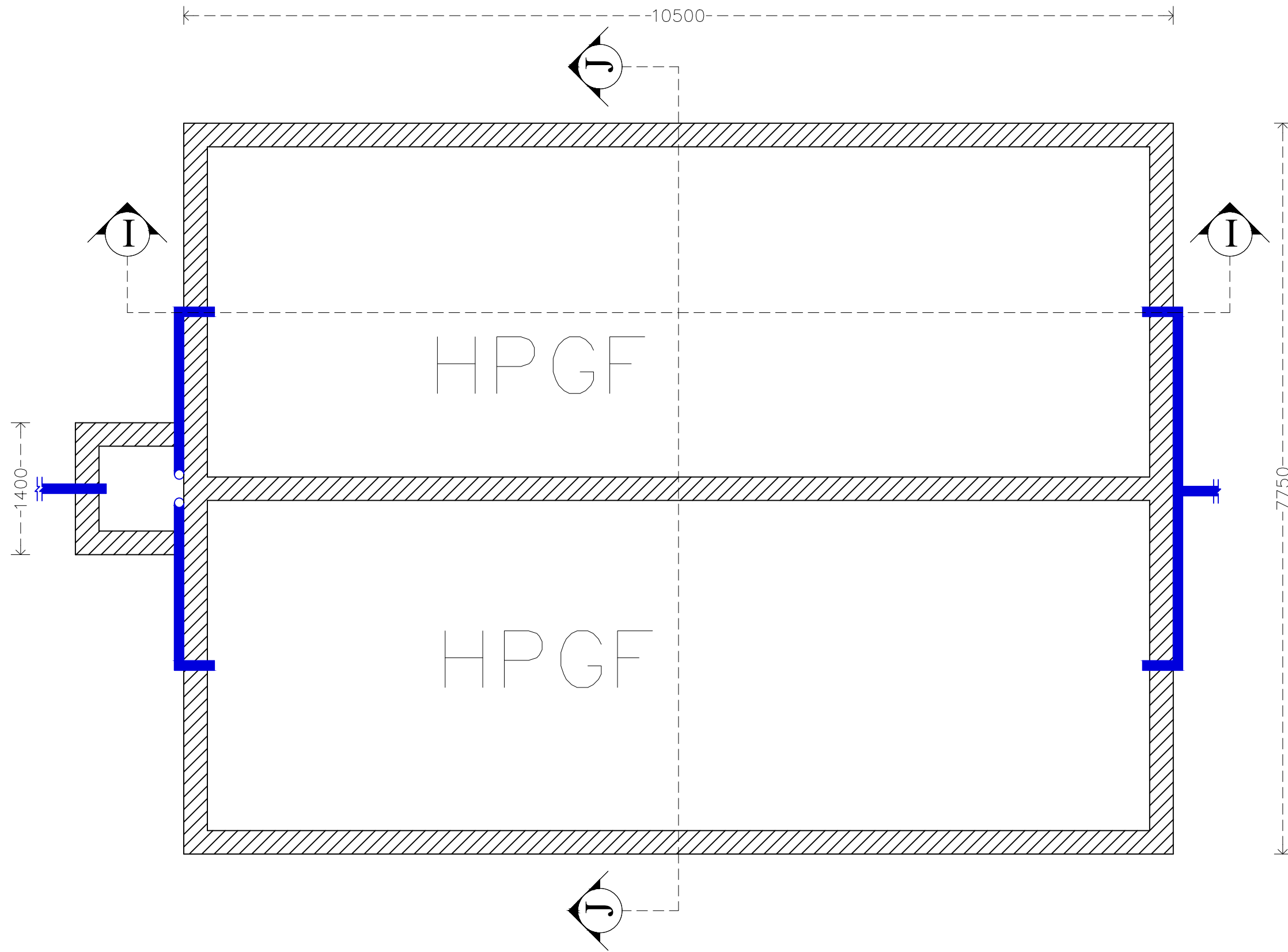
**Project Name:**  
Faecal Sludge Treatment  
Plant (FSTP)

**Project Location:**  
Meghdubi, Ward-40  
Zone-2  
Gazipur City Corporation  
Gazipur

**Implemented by:**  
Gazipur City Corporation  
&SNV Netherlands  
Development Organization

**Drawing Titel:**  
Section:H-H &  
Perforated slab

**Sheet No:**  
**10**



**Design by:**  
 Md. Sumon Ali  
 Sanitation Engineering Advisor  
 SNV Netherlands development organisation  
 Urban Sanitation Programme

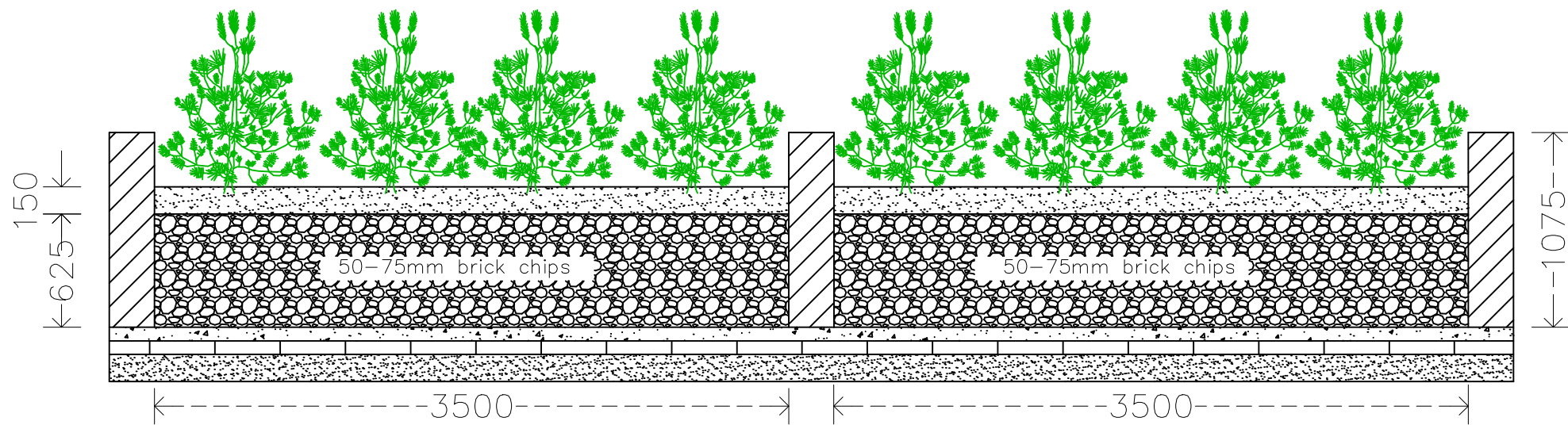
**Project Name:**  
 Faecal Sludge Treatment  
 Plant (FSTP)

**Project Location:**  
 Meghdubi, Ward-40  
 Zone-2  
 Gazipur City Corporation  
 Gazipur

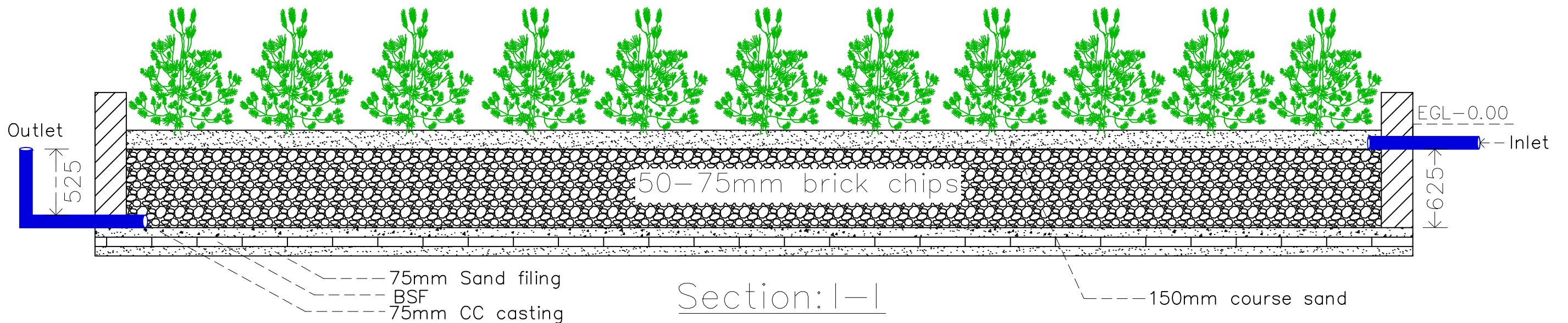
**Implemented by:**  
 Gazipur City Corporation  
 &SNV Netherlands  
 Development Organization

**Drawing Titel:**  
 Plan-HPGF

**Sheet No:**  
**11**



Section: J-J



Section: I-I



**Design by:**  
 Md. Sumon Ali  
 Sanitation Engineering Advisor  
 SNV Netherlands development organisation  
 Urban Sanitation Programme

**Project Name:**  
 Faecal Sludge Treatment  
 Plant (FSTP)

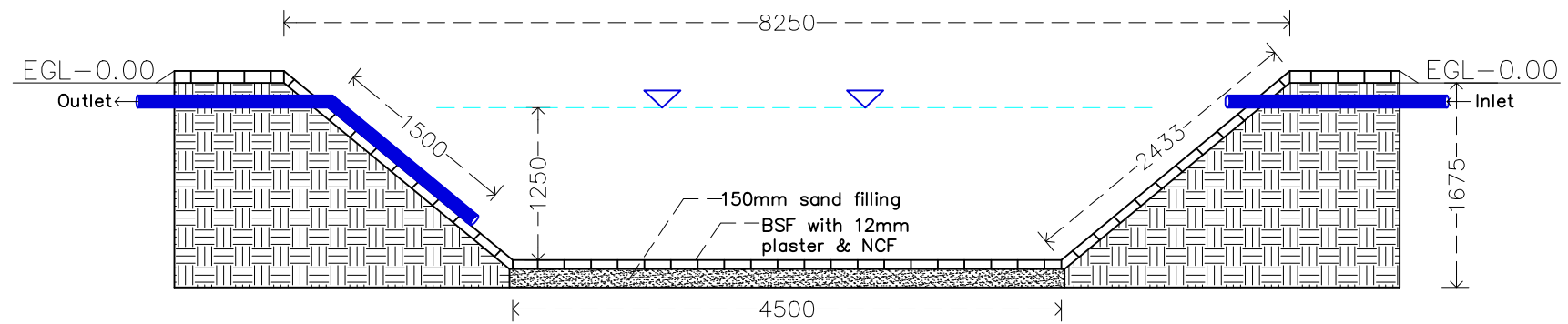
**Project Location:**  
 Meghdubi, Ward-40  
 Zone-2  
 Gazipur City Corporation  
 Gazipur

**Implemented by:**  
 Gazipur City Corporation  
 &SNV Netherlands  
 Development Organization

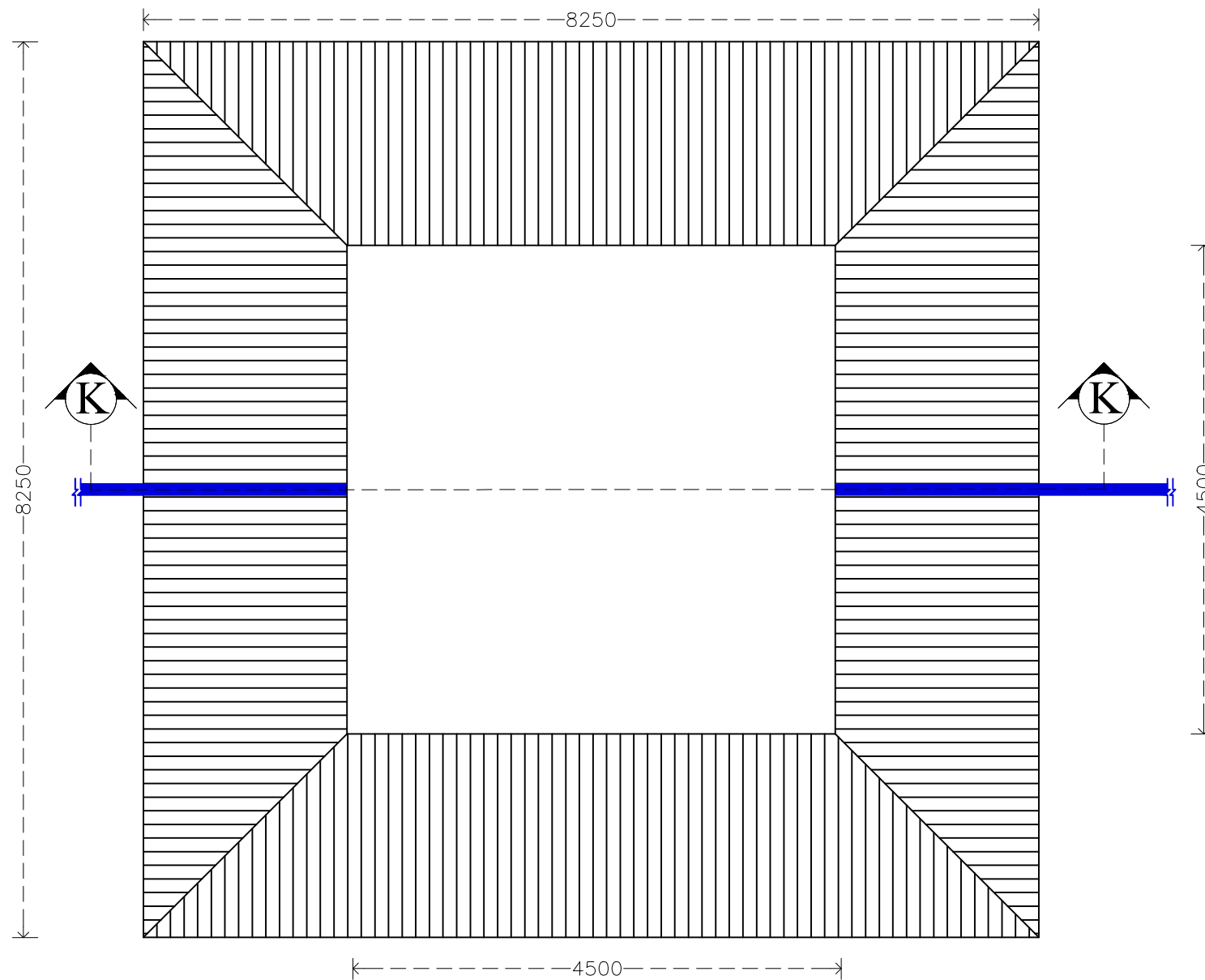
**Drawing Titel:**  
 Section: I-I & J-J

**Sheet No:**  
 12





Section: K-K



Plan: Polishing Pond



**Design by:**  
 Md. Sumon Ali  
 Sanitation Engineering Advisor  
 SNV Netherlands development organisation  
 Urban Sanitation Programme

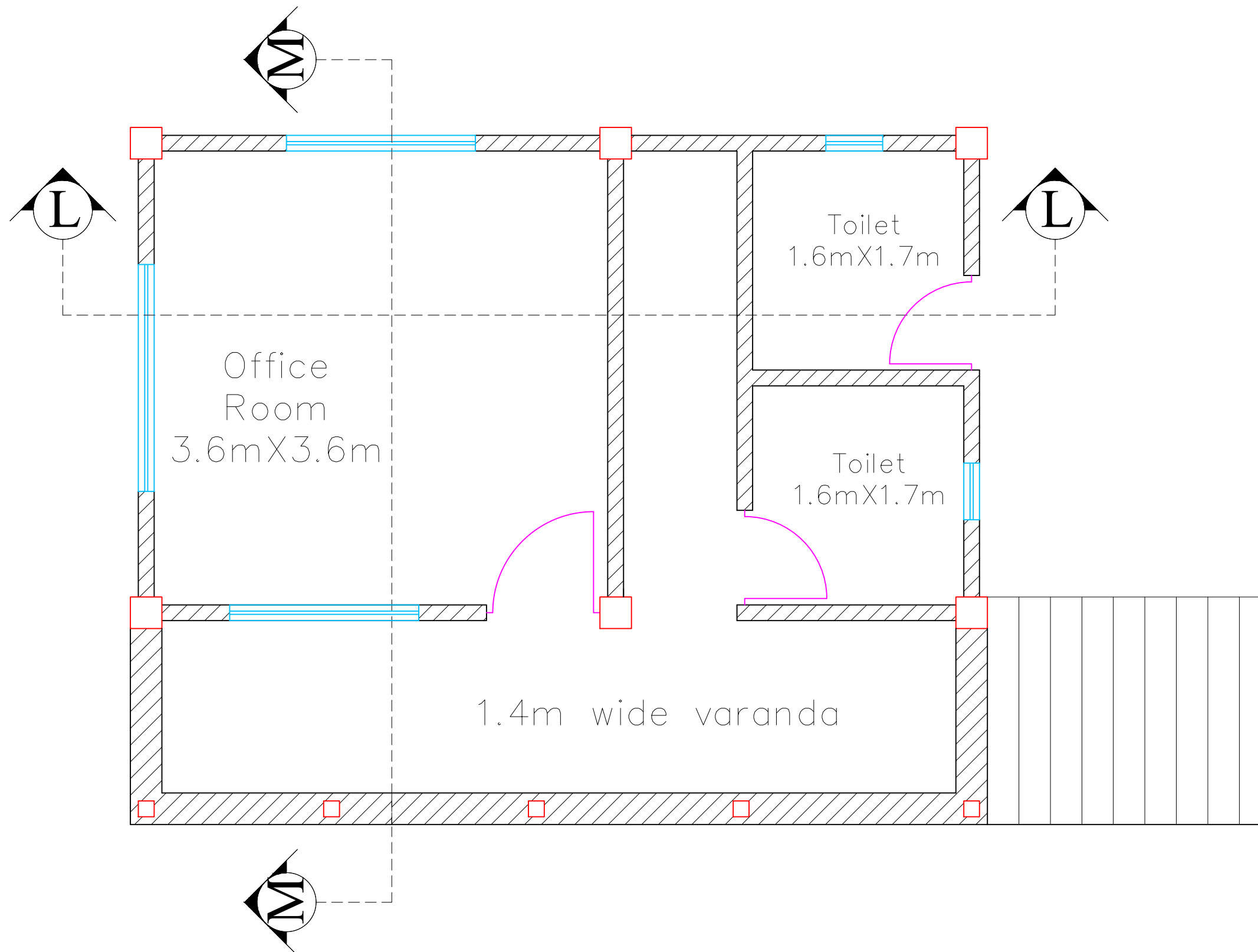
**Project Name:**  
 Faecal Sludge Treatment  
 Plant (FSTP)

**Project Location:**  
 Meghdubi, Ward-40  
 Zone-2  
 Gazipur City Corporation  
 Gazipur

**Implemented by:**  
 Gazipur City Corporation  
 &SNV Netherlands  
 Development Organization

**Drawing Title:**  
 Details of Polishing  
 Pond

**Sheet No:**  
**13**



Plan: Office building



**Design by:**  
 Md. Sumon Ali  
 Sanitation Engineering Advisor  
 SNV Netherlands development organisation  
 Urban Sanitation Programme

**Project Name:**  
 Faecal Sludge Treatment  
 Plant (FSTP)

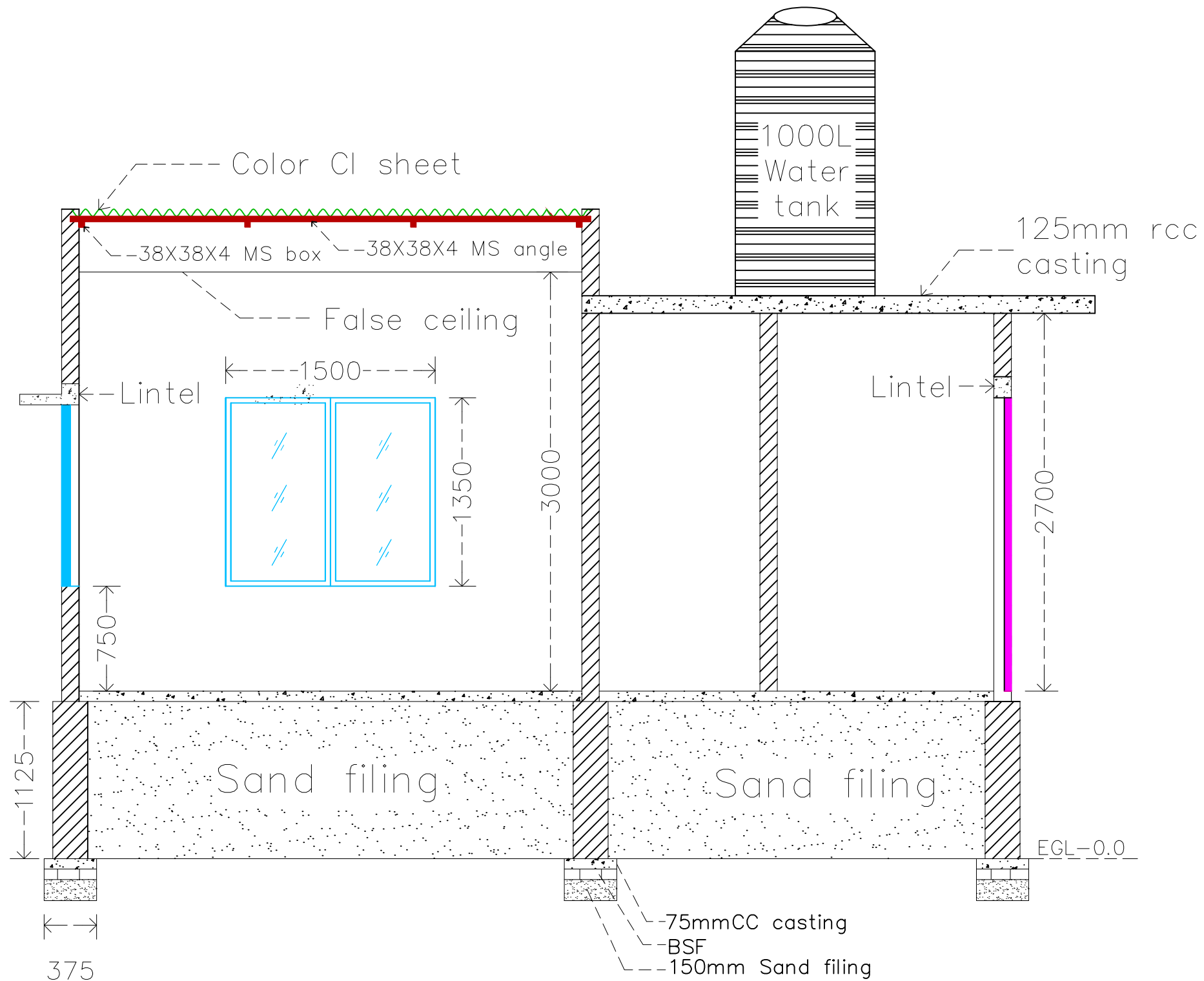
**Project Location:**  
 Meghdubi, Ward-40  
 Zone-2  
 Gazipur City Corporation  
 Gazipur

**Implemented by:**  
 Gazipur City Corporation  
 &SNV Netherlands  
 Development Organization

**Drawing Titel:**  
 Plan-Office  
 building

**Sheet No:**  
**14**





Section: L-L



**Design by:**  
 Md. Sumon Ali  
 Sanitation Engineering Advisor  
 SNV Netherlands development organisation  
 Urban Sanitation Programme

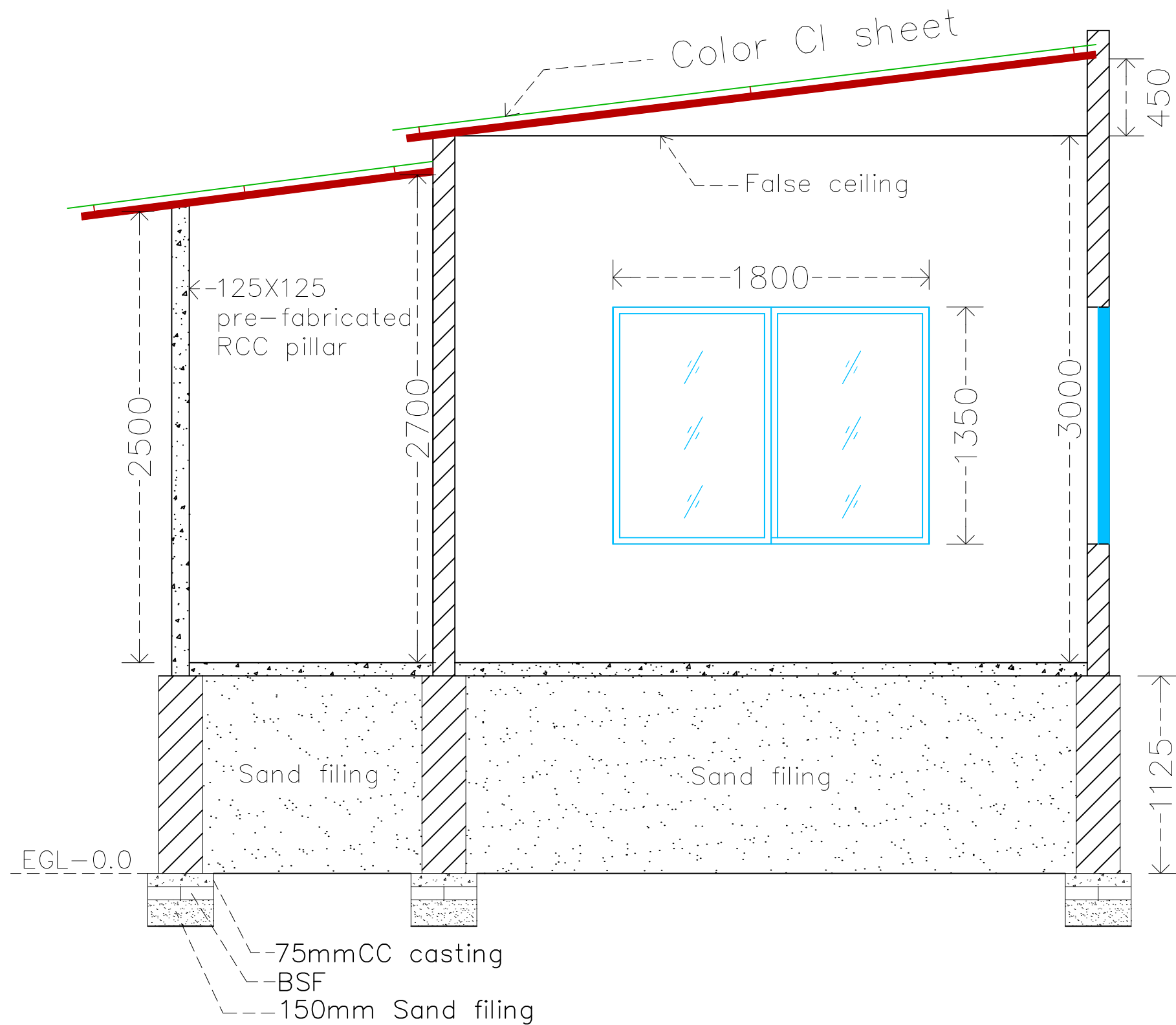
**Project Name:**  
 Faecal Sludge Treatment  
 Plant (FSTP)

**Project Location:**  
 Meghdubi, Ward-40  
 Zone-2  
 Gazipur City Corporation  
 Gazipur

**Implemented by:**  
 Gazipur City Corporation  
 &SNV Netherlands  
 Development Organization

**Drawing Title:**  
 Section: L-L

**Sheet No:**  
**15**



## Section: M-M



**Design by:**  
 Md. Sumon Ali  
 Sanitation Engineering Advisor  
 SNV Netherlands development organisation  
 Urban Sanitation Programme

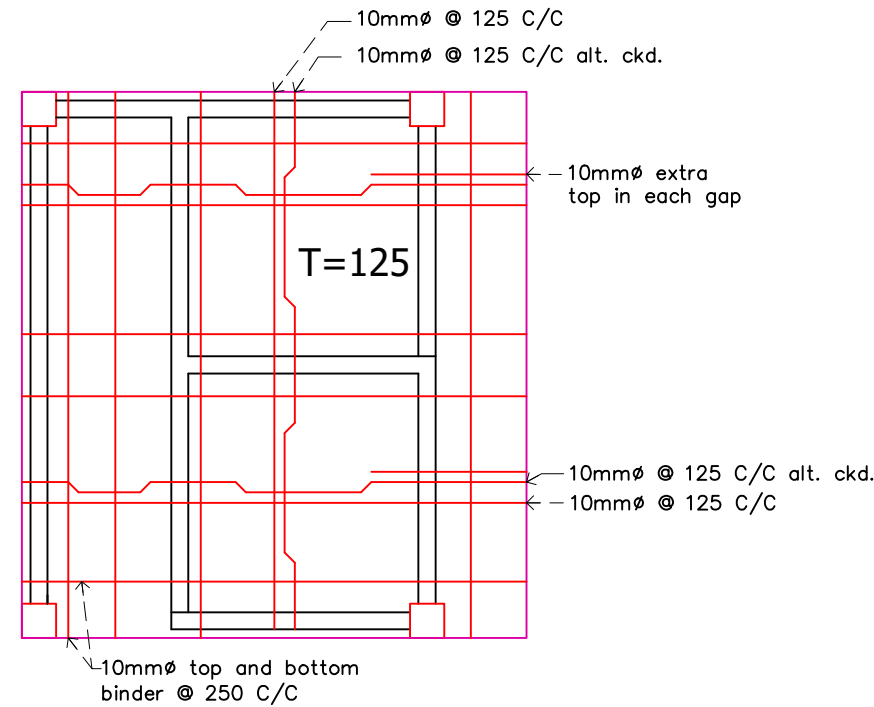
**Project Name:**  
 Faecal Sludge Treatment  
 Plant (FSTP)

**Project Location:**  
 Meghdubi, Ward-40  
 Zone-2  
 Gazipur City Corporation  
 Gazipur

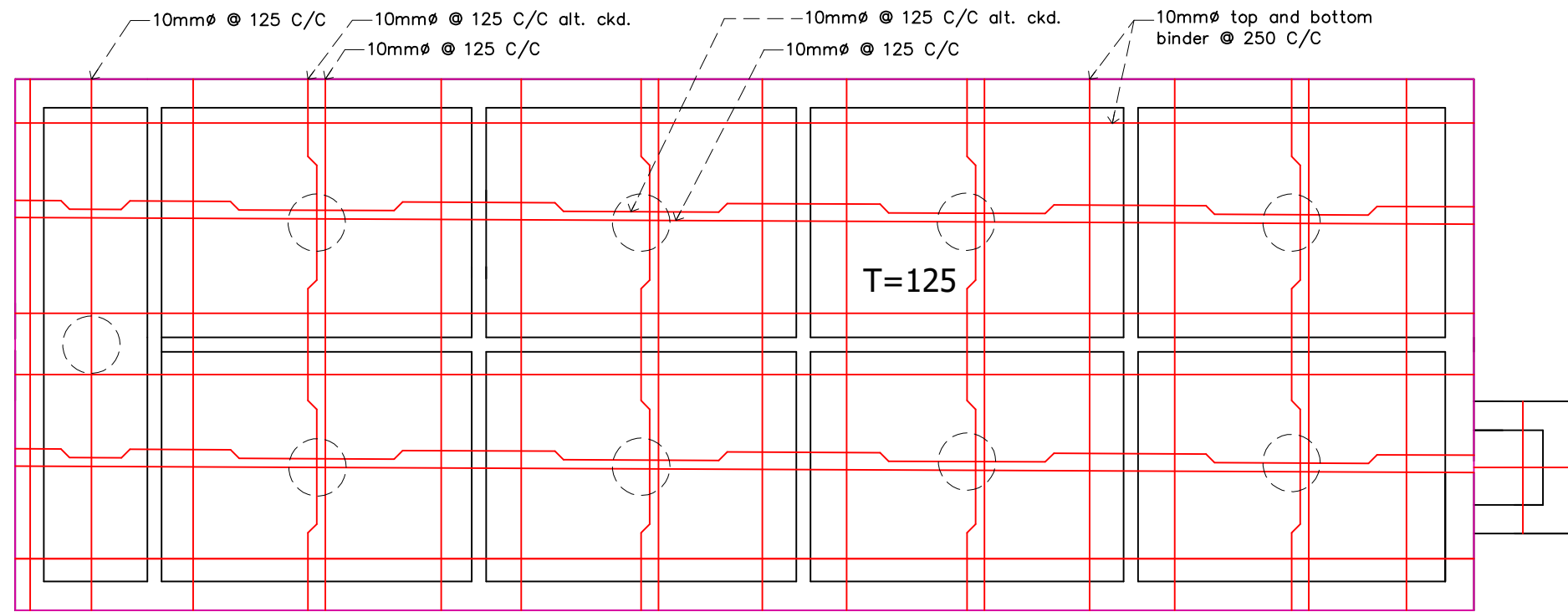
**Implemented by:**  
 Gazipur City Corporation  
 & SNV Netherlands  
 Development Organization

**Drawing Title:**  
 Section: M-M

**Sheet No:**  
**16**



Toilet Slab



ABR Slab



**Design by:**  
 Md. Sumon Ali  
 Sanitation Engineering Advisor  
 SNV Netherlands development organisation  
 Urban Sanitation Programme

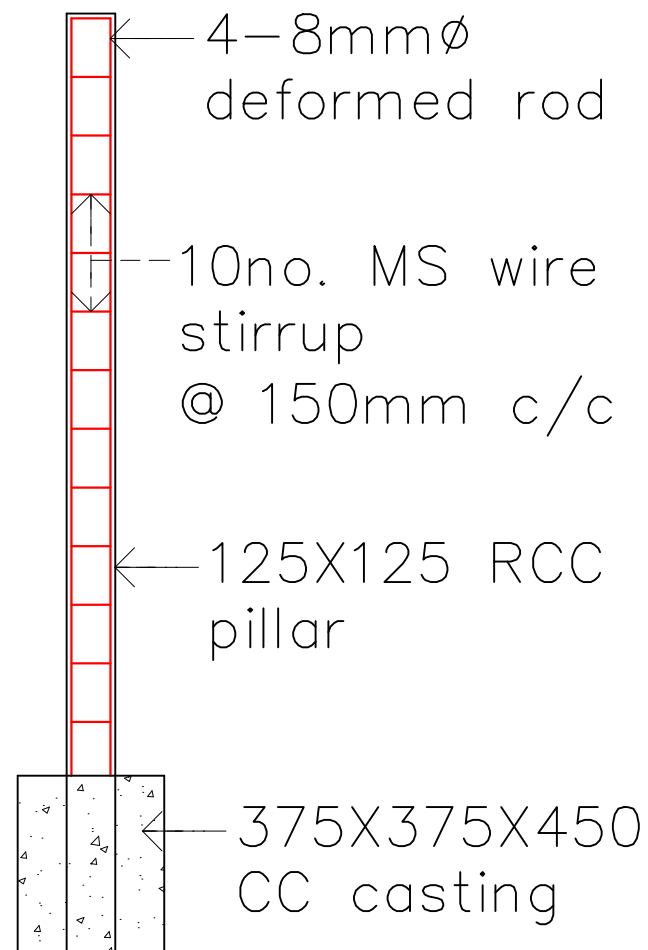
**Project Name:**  
 Faecal Sludge Treatment  
 Plant (FSTP)

**Project Location:**  
 Meghdubi, Ward-40  
 Zone-2  
 Gazipur City Corporation  
 Gazipur

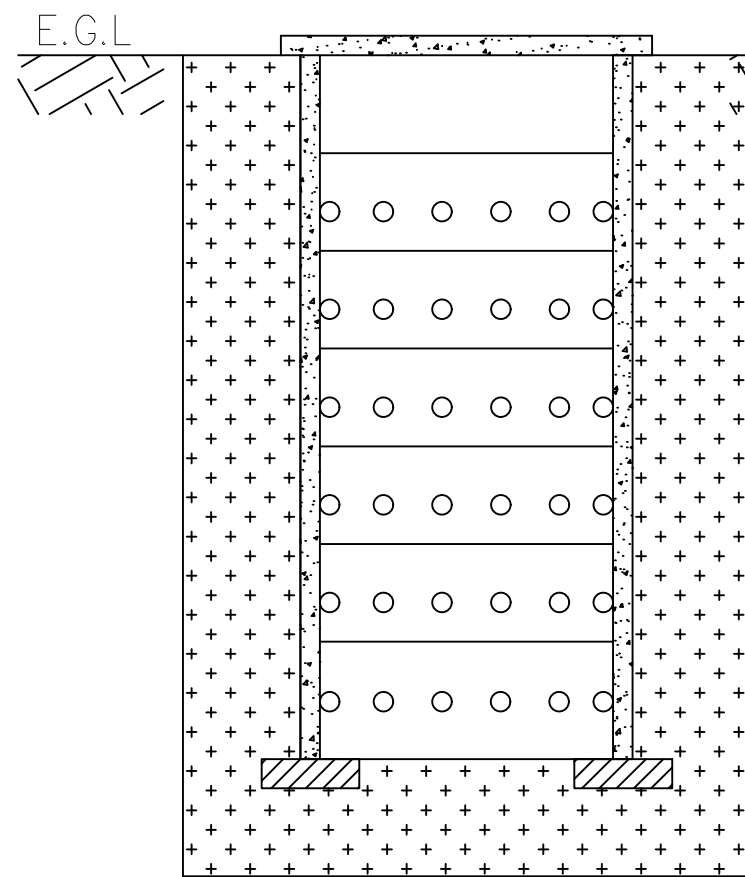
**Implemented by:**  
 Gazipur City Corporation  
 &SNV Netherlands  
 Development Organization

**Drawing Titel:**  
 RCC Slab detail

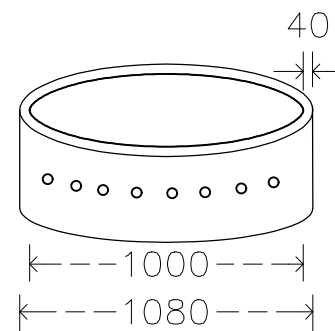
**Sheet No:**  
**17**



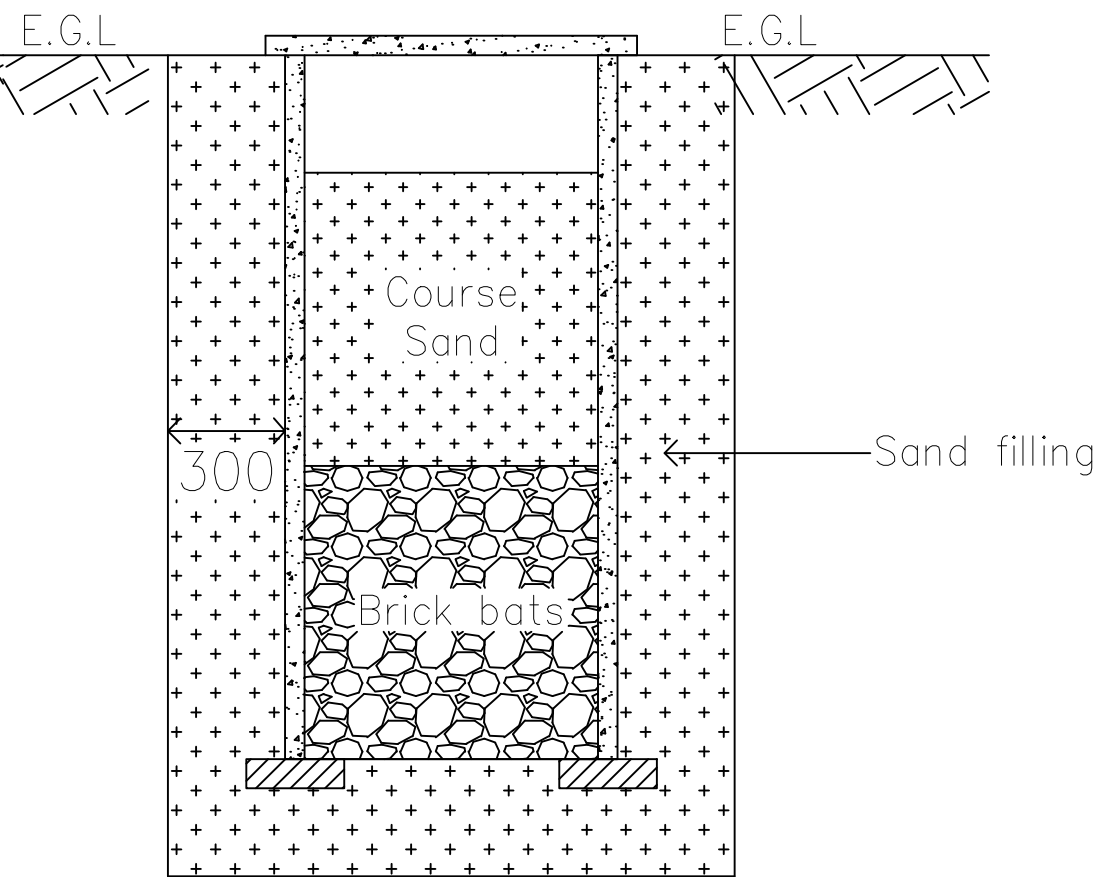
Boundary pillar



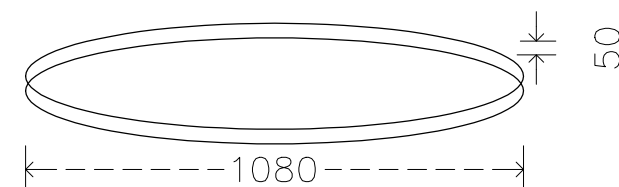
Side view



Ring Detail



Section



Slab Detail



**Design by:**  
Md. Sumon Ali  
Sanitation Engineering Advisor  
SNV Netherlands development organisation  
Urban Sanitation Programme

**Project Name:**  
Faecal Sludge Treatment  
Plant (FSTP)

**Project Location:**  
Meghdubi, Ward-40  
Zone-2  
Gazipur City Corporation  
Gazipur

**Implemented by:**  
Gazipur City Corporation  
&SNV Netherlands  
Development Organization

**Drawing Titel:**  
Details of SW &  
Boundary pillar

**Sheet No:**  
**18**