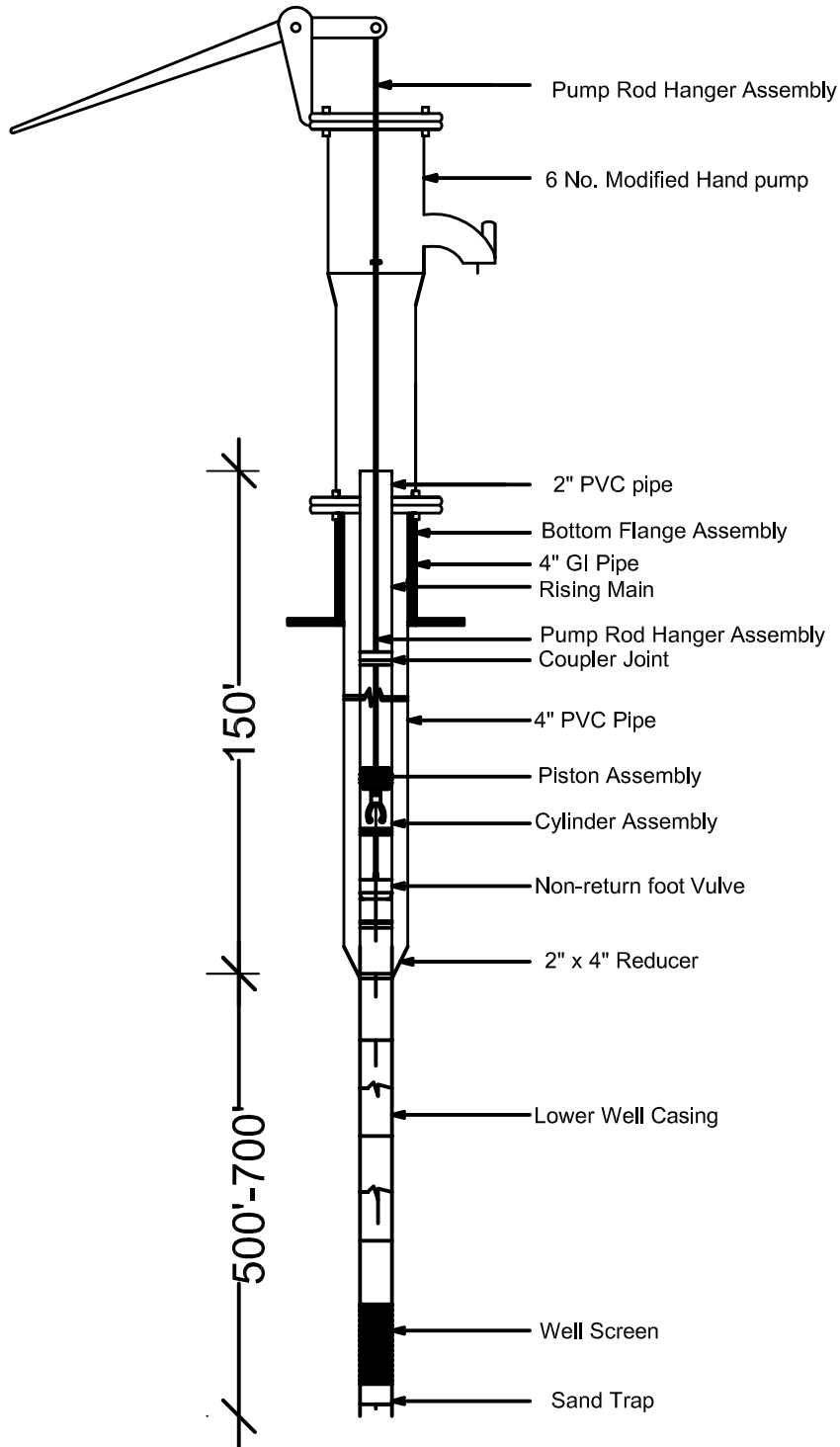
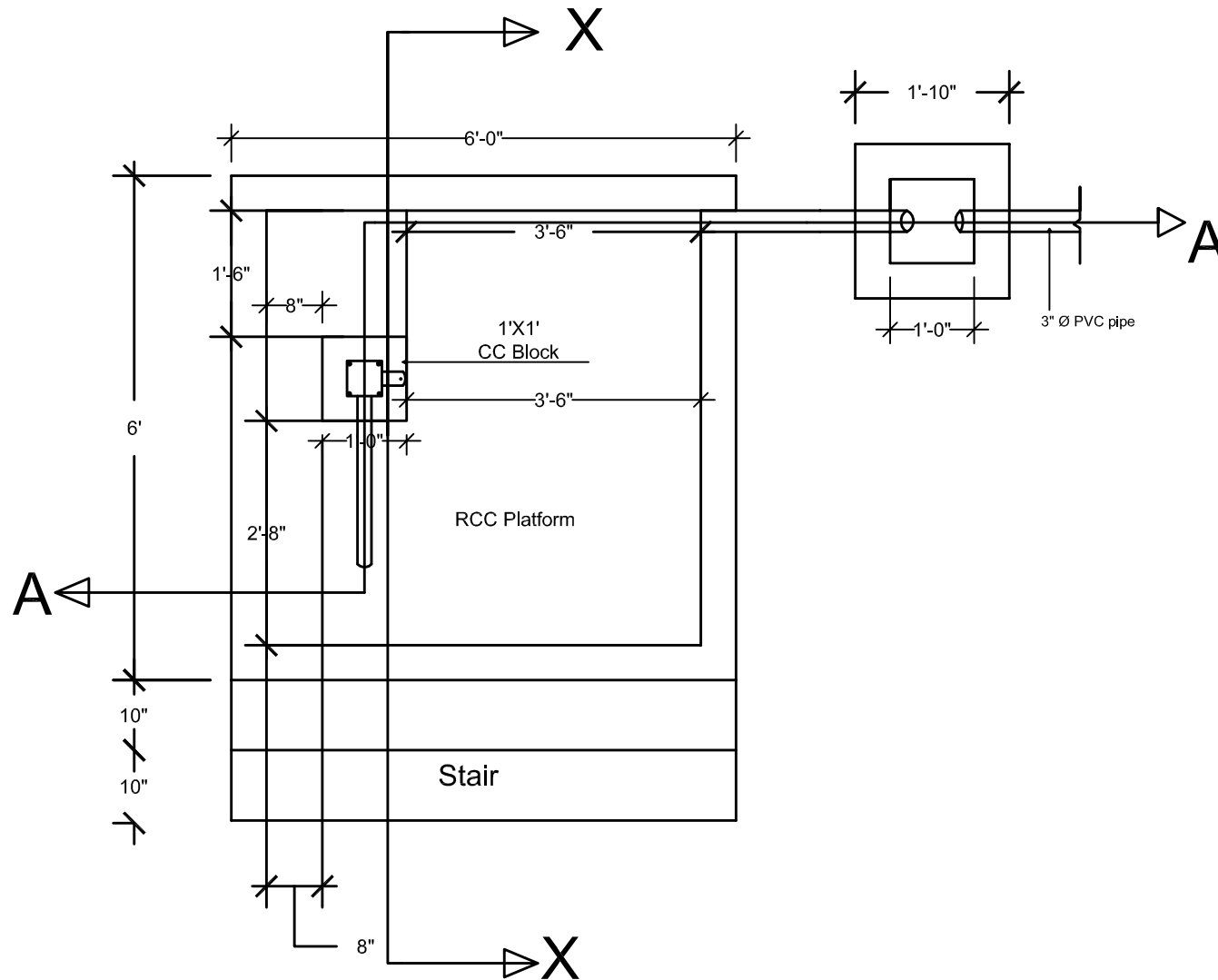


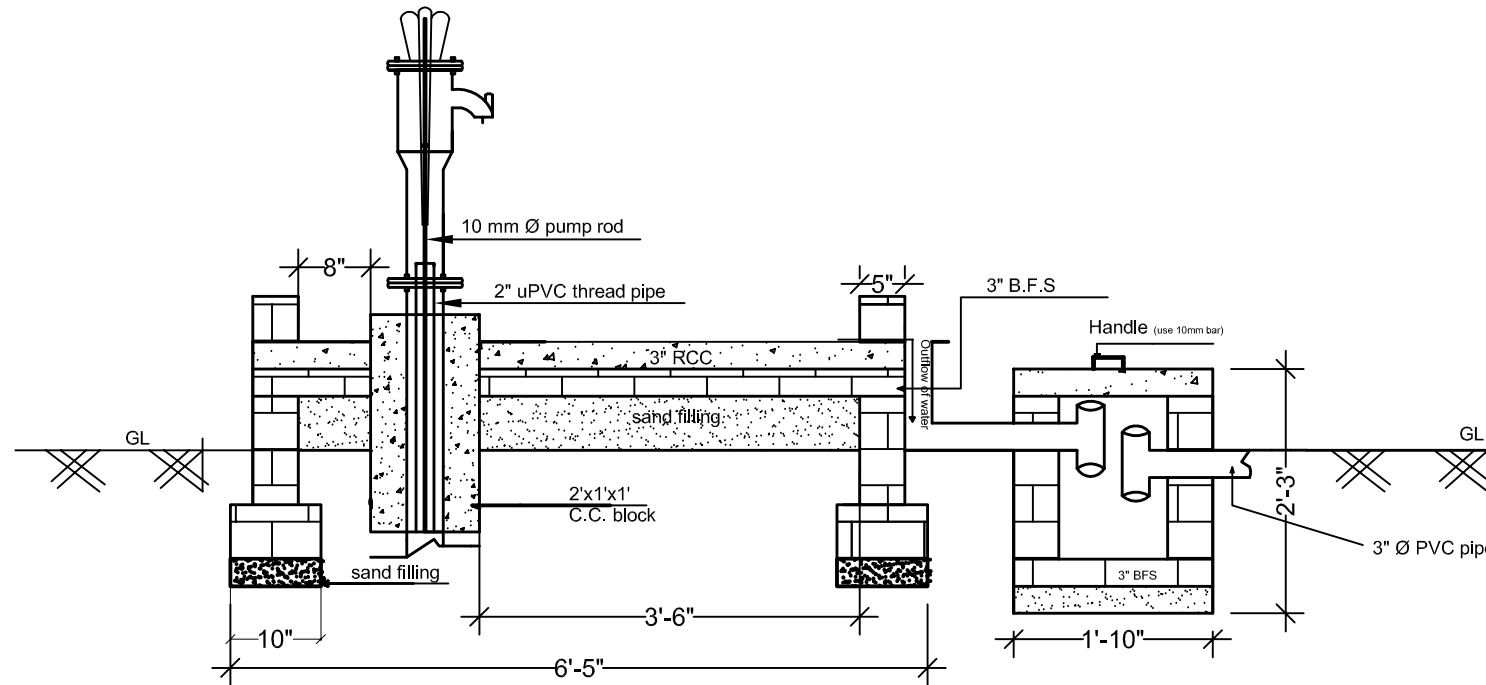
Tara Hand Pump (Extractable Mode)



Project: SKALA	Name of work & location: Construction of Deep Tube Well (DTW) in Baharchora and Teknaf area.	Description of Drawing: Deep Tube Well (DTW) Plan	Design & drawn by:	Checked & approved by:
			Sayed Ullah Md. Sayem	Michael Hossu
			Project Officer- WaSH	Project Delegate, CXB
			German Red Cross	German Red Cross

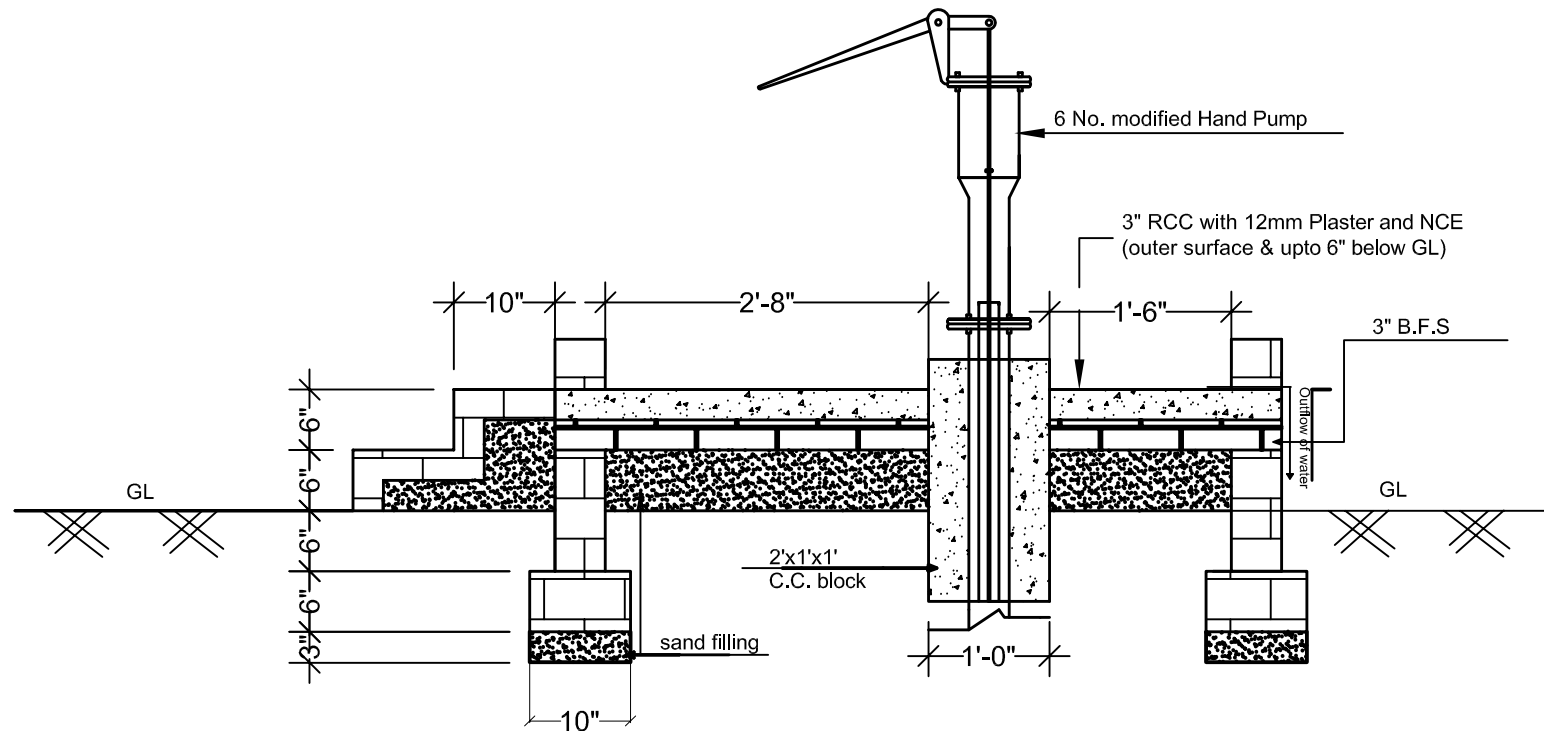


Project: SKALA	Name of work & location: Construction of Deep Tube Well (DTW) in Baharchora and Teknaf area.	Description of Drawing: Deep Tube Well (DTW) Platform Plan.	Design & drawn by:	Checked & approved by:
			Sayed Ullah Md. Sayem	Michael Hossu
			Project Officer- WaSH	Project Delegate, CXB
			German Red Cross	German Red Cross



Cross Section A-A

<p>Project: SKALA</p>	<p>Name of work & location: Construction of Deep Tube Well (DTW) in Baharchora and Teknaf area.</p>	<p>Description of Drawing: Deep Tube Well (DTW) platform cross section A-A</p>	<p>Design & drawn by: Sayed Ullah Md. Sayem Project Officer- WaSH German Red Cross</p>	<p>Checked & approved by: Michael Hossu Project Delegate, CXB German Red Cross</p>
---	--	---	---	---



Cross Section X-X

Project: SKALA	Name of work & location: Construction of Deep Tube Well (DTW) in Baharchora and Teknaf area.	Description of Drawing: Deep Tube Well (DTW) platform cross section X-X	Design & drawn by:	Checked & approved by:
			Sayed Ullah Md. Sayem	Michael Hossu
			Project Officer- WaSH	Project Delegate, CXB
			German Red Cross	German Red Cross