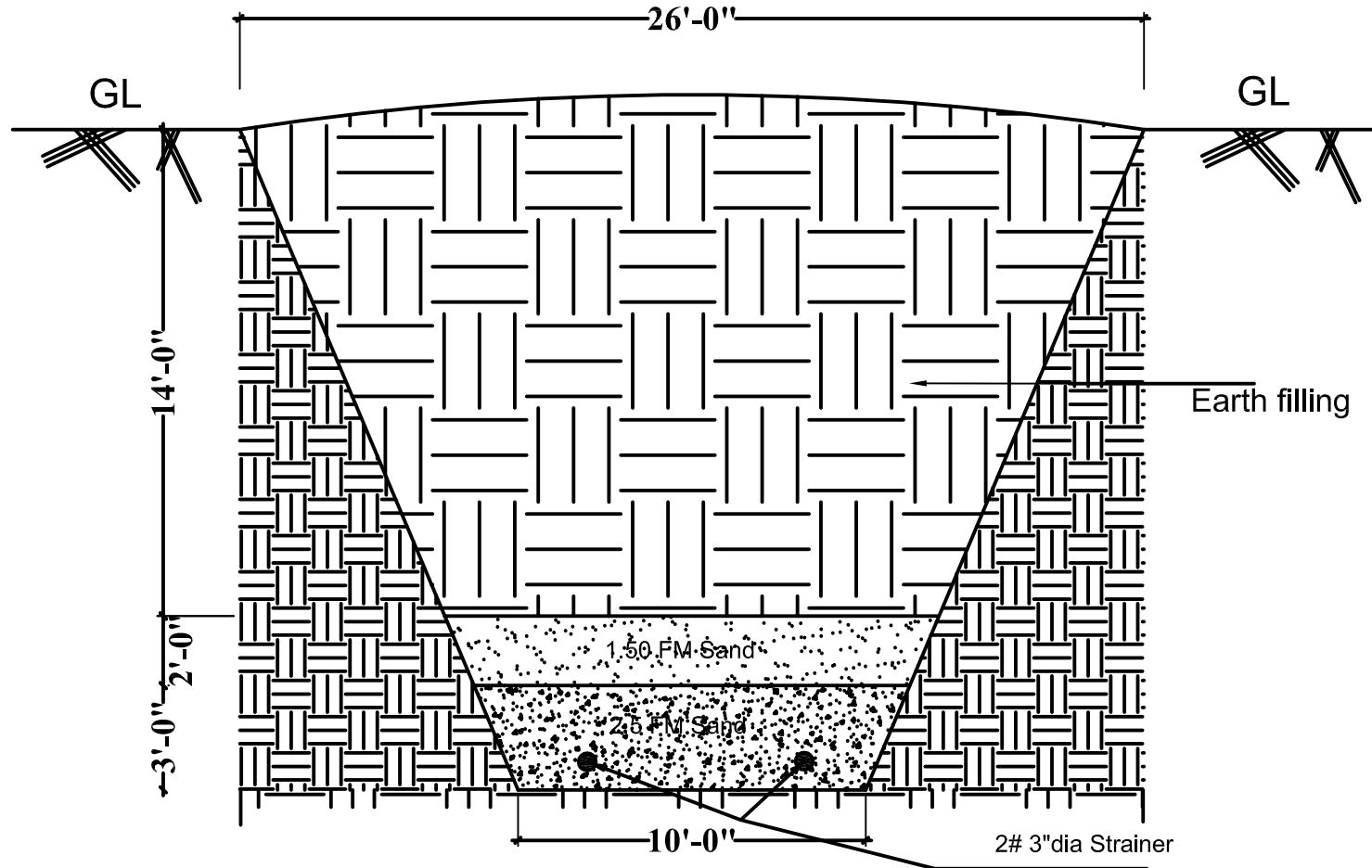
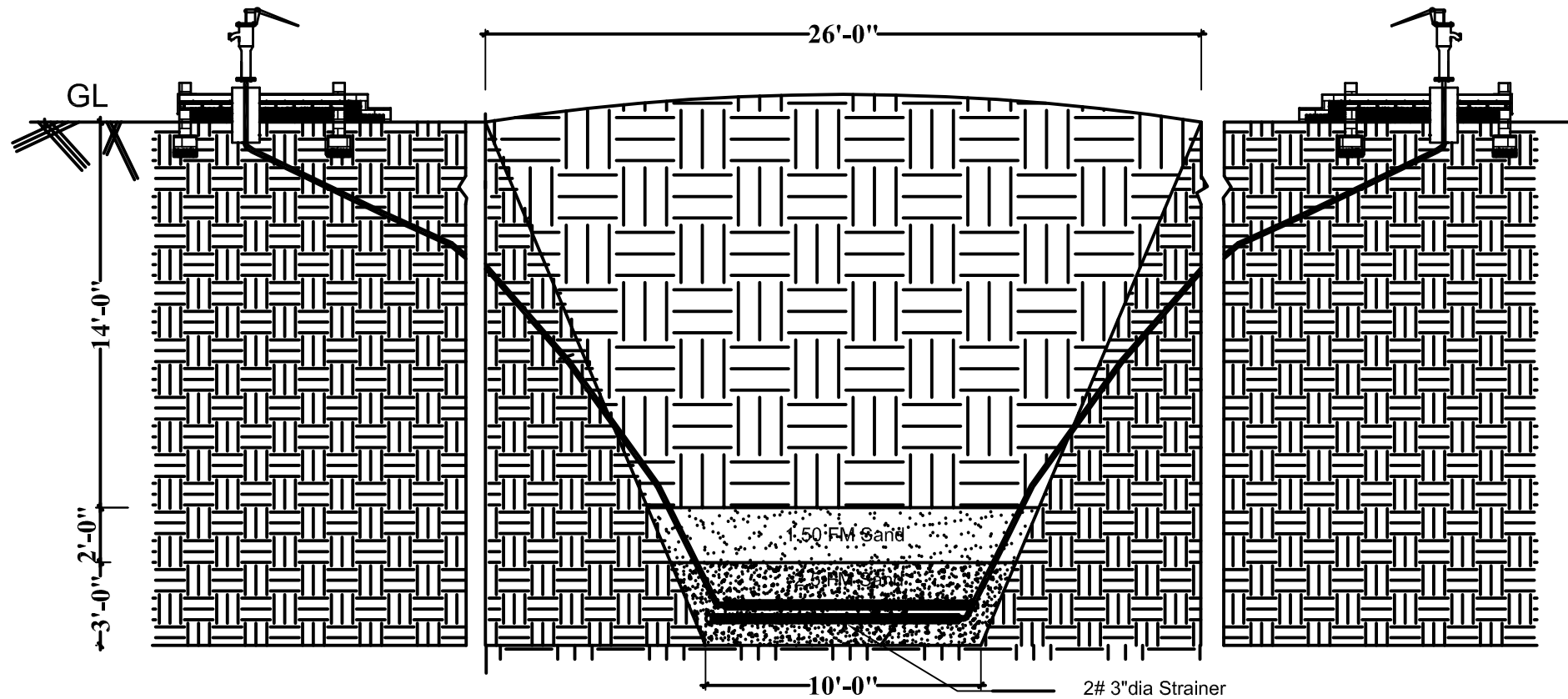


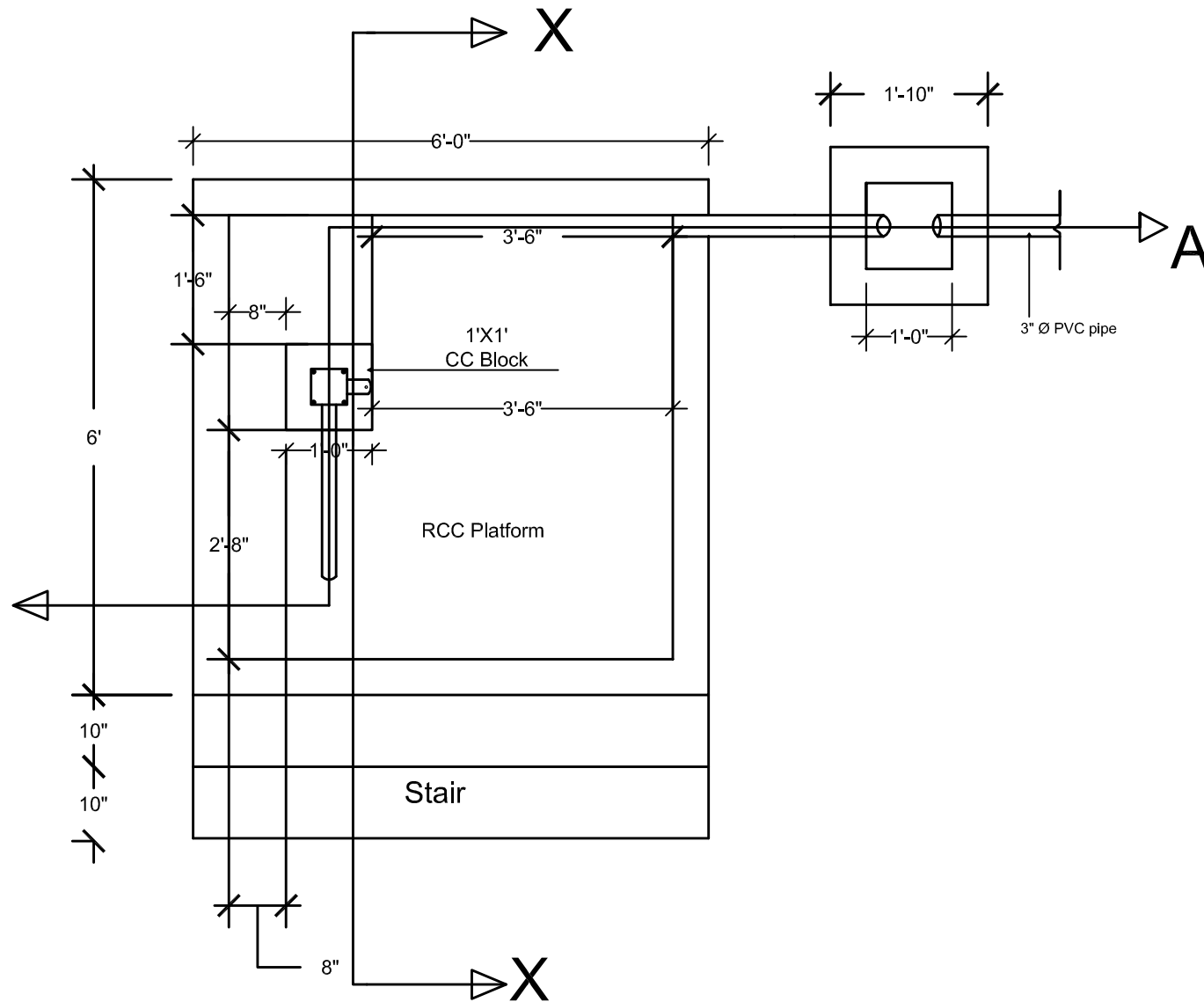
<p><b>Project:</b> SKALA</p>	<p><b>Name of work &amp; location:</b> Construction of Shallow Shrouded Tube Well (SST) in Baharchora and Teknaf area.</p>	<p><b>Description of Drawing:</b> Typical plan of SST Pond</p>	<p><b>Design &amp; drawn by:</b> Sayed Ullah Md. Sayem Project Officer- WaSH German Red Cross</p>	<p><b>Checked &amp; approved by:</b> Michael Hossu Project Delegate, CXB German Red Cross</p>
----------------------------------	--	--	---	---



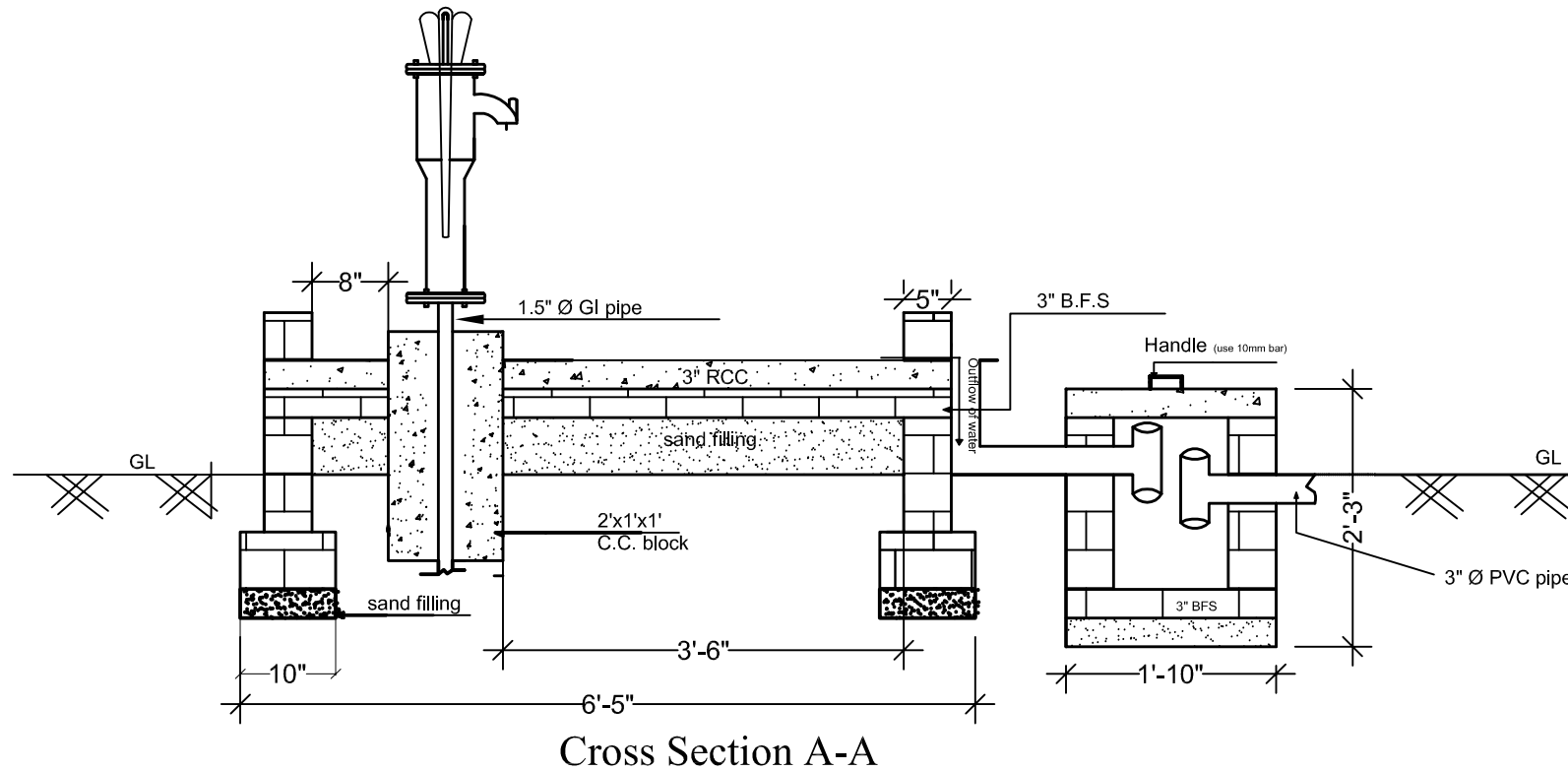
<p><b>Project:</b> SKALA</p>	<p><b>Name of work &amp; location:</b> Construction of Shallow Shrouded Tube Well (SST) in Baharchora and Teknaf area.</p>	<p><b>Description of Drawing:</b> Cross Section Y-Y for SST Pond</p>	<p><b>Design &amp; drawn by:</b> Sayed Ullah Md. Sayem Project Officer- WaSH German Red Cross</p>	<p><b>Checked &amp; approved by:</b> Michael Hossu Project Delegate, CXB German Red Cross</p>
----------------------------------	--	--	---	---



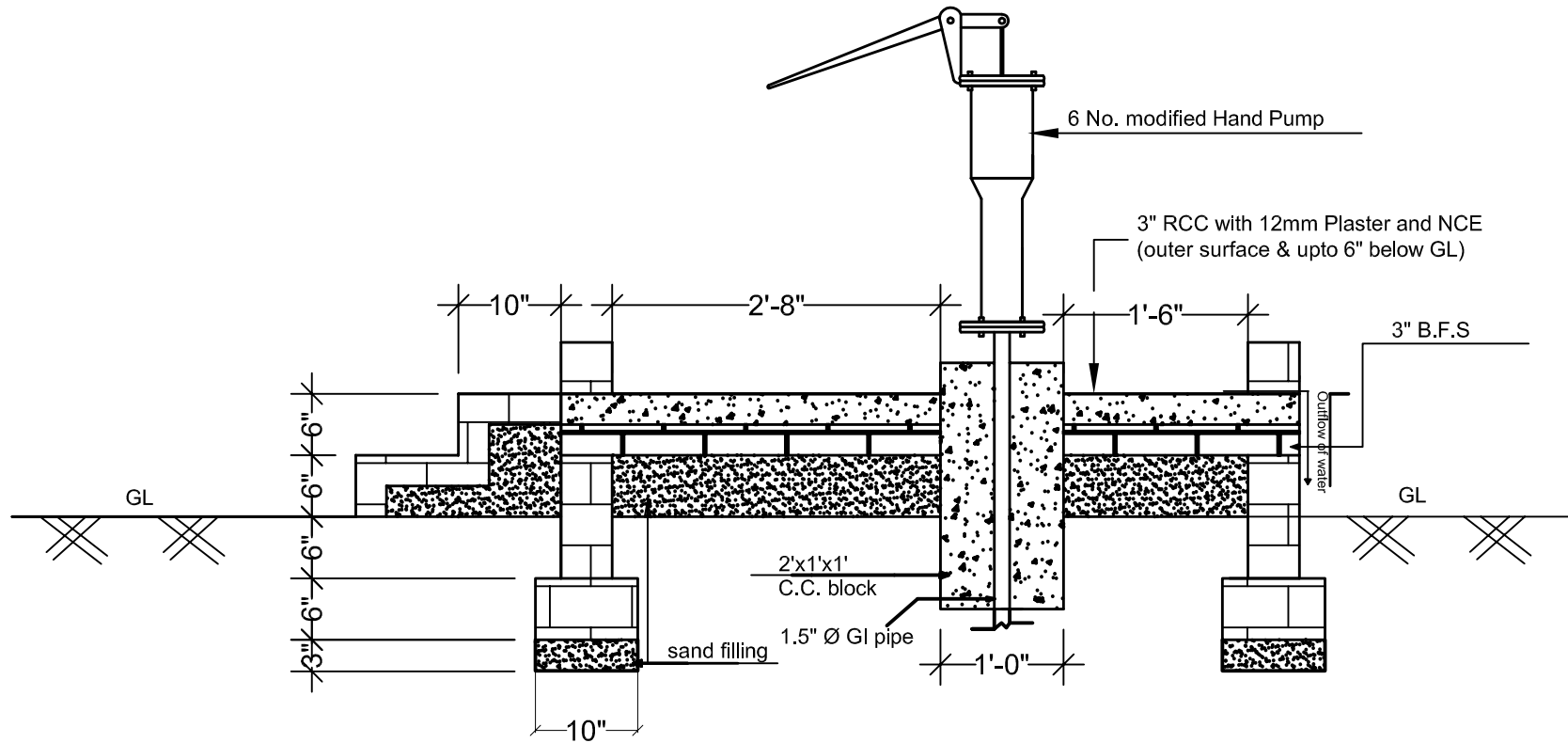
<p><b>Project:</b> <b>SKALA</b></p>	<p><b>Name of work &amp; location:</b> Construction of Shallow Shrouded Tube Well (SST) in Baharchora and Teknaf area.</p>	<p><b>Description of Drawing:</b> Cross Section X-X for SST Pond</p>	<p><b>Design &amp; drawn by:</b> Sayed Ullah Md. Sayem Project Officer- WaSH German Red Cross</p>	<p><b>Checked &amp; approved by:</b> Michael Hossu Project Delegate, CXB German Red Cross</p>
---	--	--	---	---



Project: <b>SKALA</b>	Name of work & location: Construction of Shallow Shrouded Tube Well (SST) in Baharchora and Teknaf area.	Description of Drawing: Plan for SST Platform	Design & drawn by:	Checked & approved by:
			Sayed Ullah Md. Sayem	Michael Hossu
			Project Officer- WaSH	Project Delegate, CXB
			German Red Cross	German Red Cross



<p><b>Project:</b> <b>SKALA</b></p>	<p><b>Name of work &amp; location:</b> Construction of Shallow Shrouded Tube Well (SST) in Baharchora and Teknaf area.</p>	<p><b>Description of Drawing:</b> Cross section A-A for SST Platform</p>	<p><b>Design &amp; drawn by:</b> Sayed Ullah Md. Sayem Project Officer- WaSH German Red Cross</p>	<p><b>Checked &amp; approved by:</b> Michael Hossu Project Delegate, CXB German Red Cross</p>
---	--	--	---	---



**Cross Section X-X**

<p><b>Project:</b> <b>SKALA</b></p>	<p><b>Name of work &amp; location:</b> Construction of Shallow Shrouded Tube Well (SST) in Baharchora and Teknaf area.</p>	<p><b>Description of Drawing:</b> Cross Section X-X for SST Platform</p>	<p><b>Design &amp; drawn by:</b></p>	<p><b>Checked &amp; approved by:</b></p>
			<p>Sayed Ullah Md. Sayem</p>	<p>Michael Hossu</p>
			<p>Project Officer- WaSH</p>	<p>Project Delegate, CXB</p>
			<p>German Red Cross</p>	<p>German Red Cross</p>