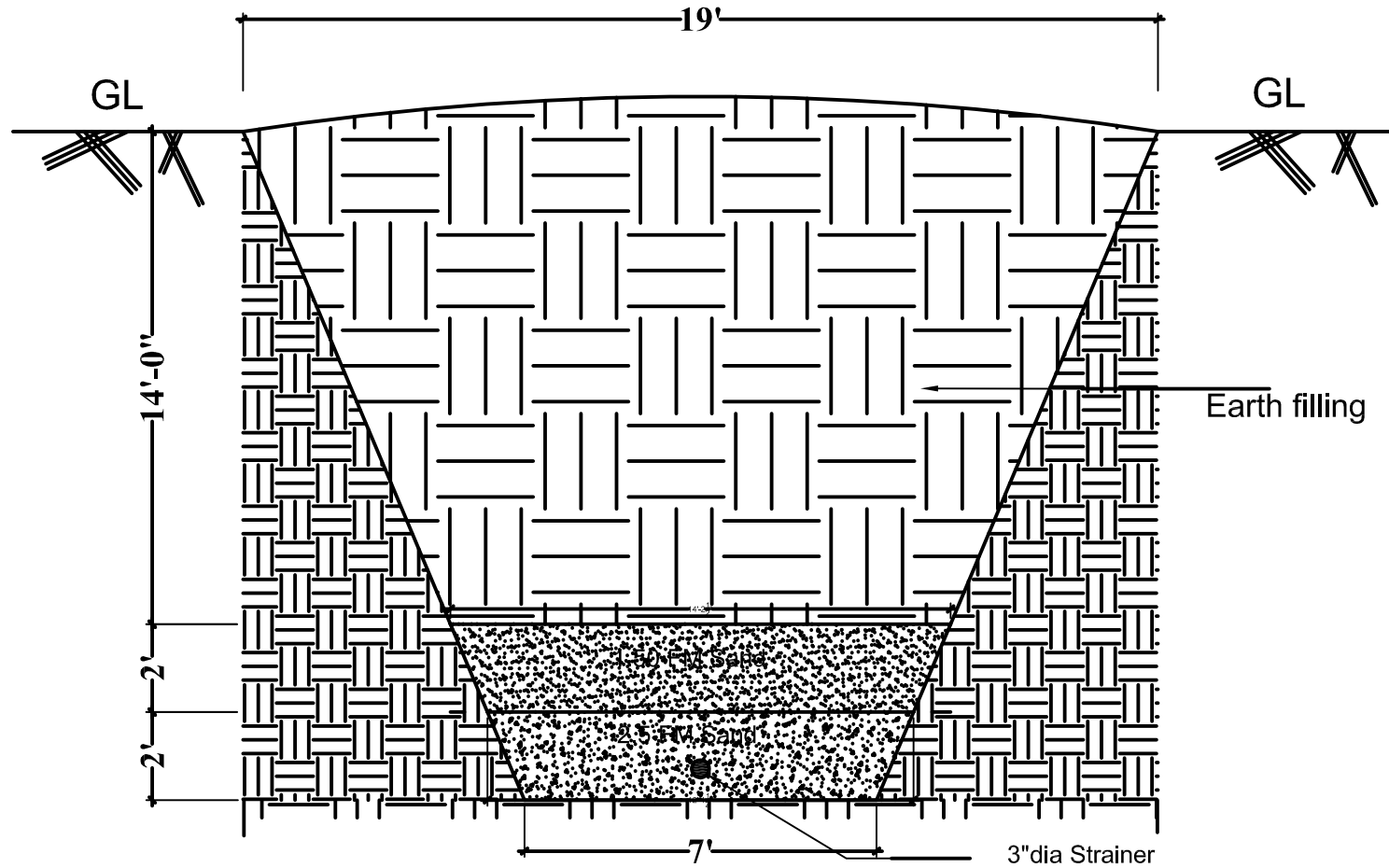
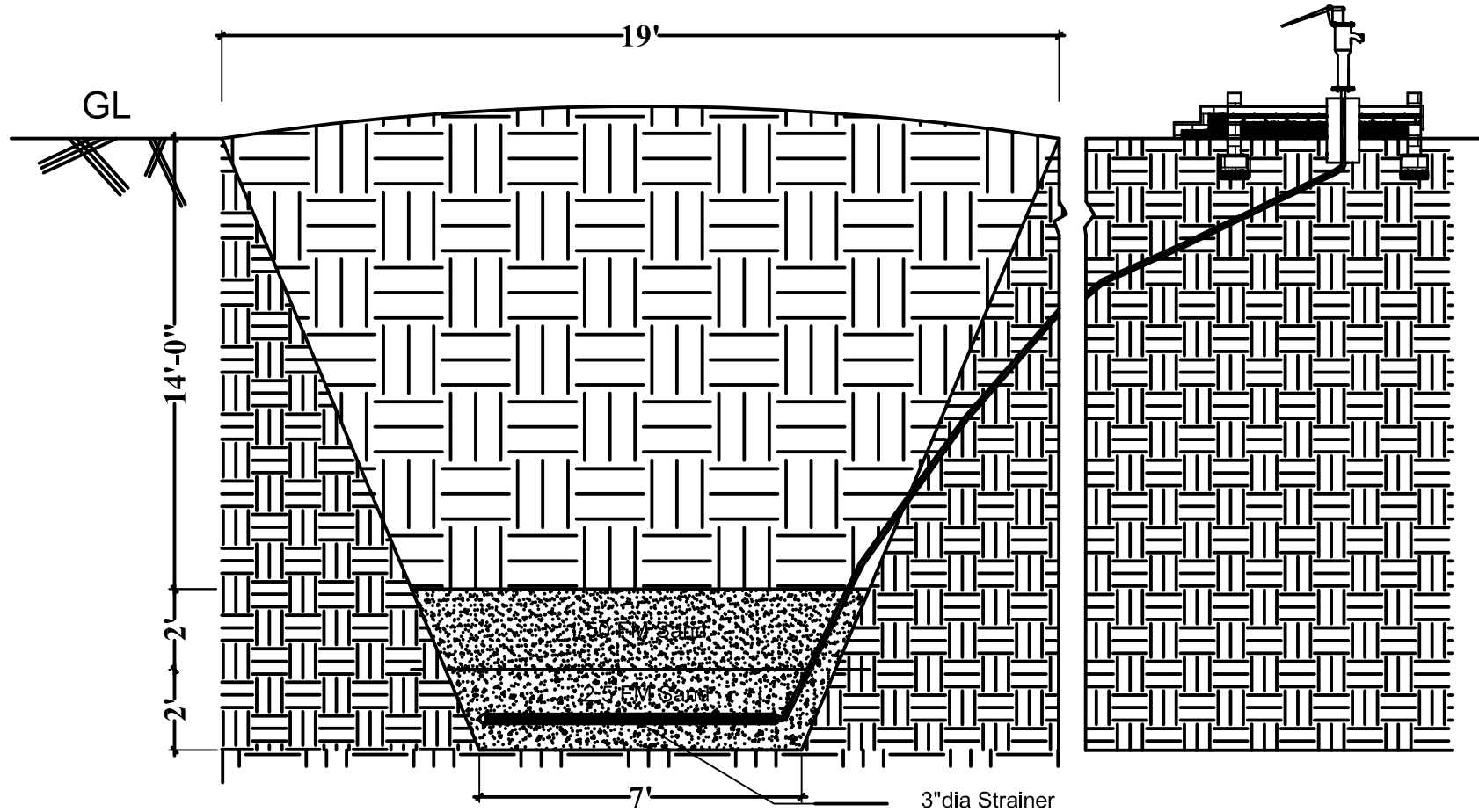


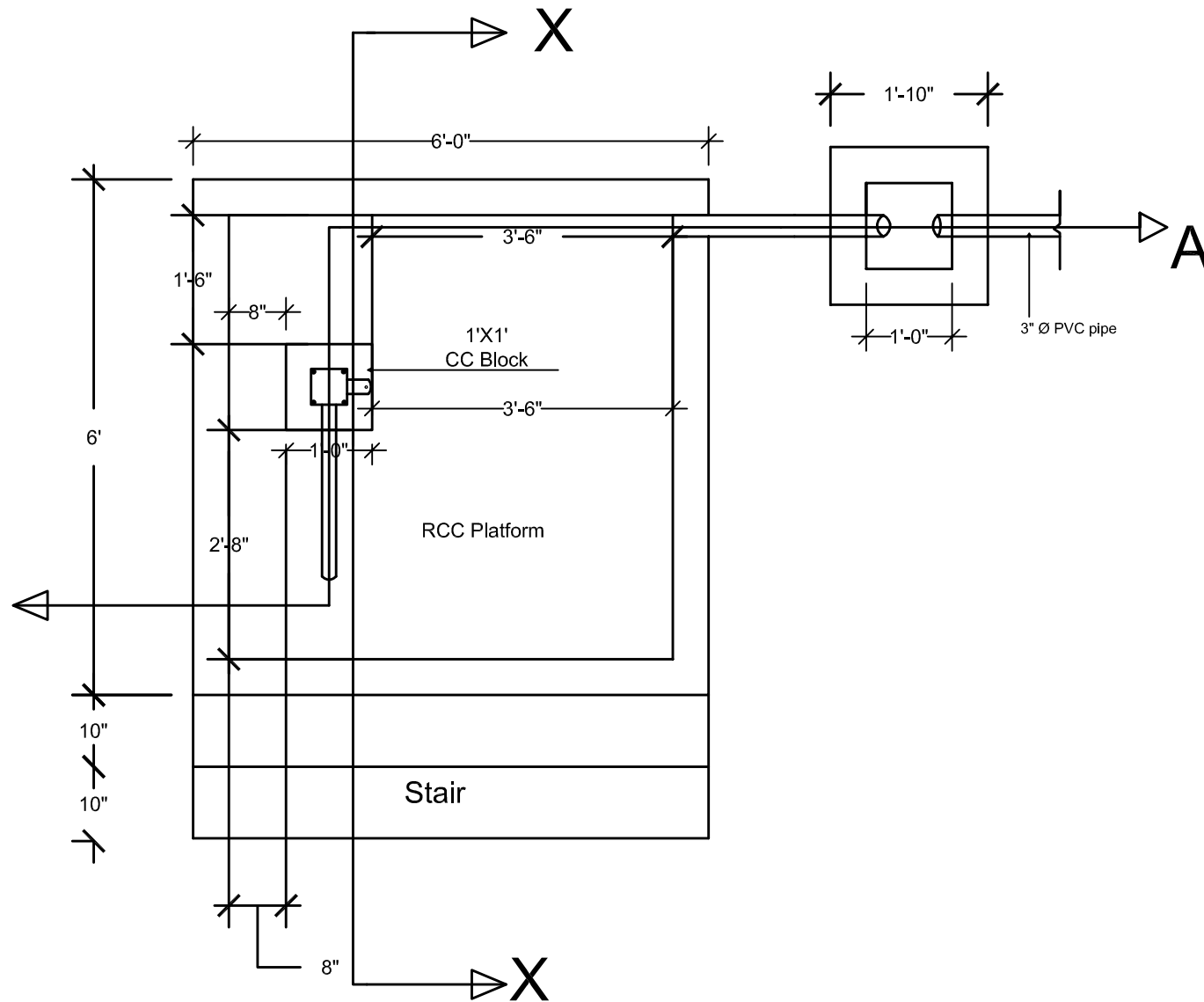
<p>Project: SKALA</p>	<p>Name of work & location: Construction of Shallow Shrouded Tube Well (SST) in Baharchora and Teknaf area.</p>	<p>Description of Drawing: Typical plan for SST Pond</p>	<p>Design & drawn by: Sayed Ullah Md. Sayem Project Officer- WaSH German Red Cross</p>	<p>Checked & approved by: Michael Hossu Project Delegate, CXB German Red Cross</p>
----------------------------------	--	---	---	---



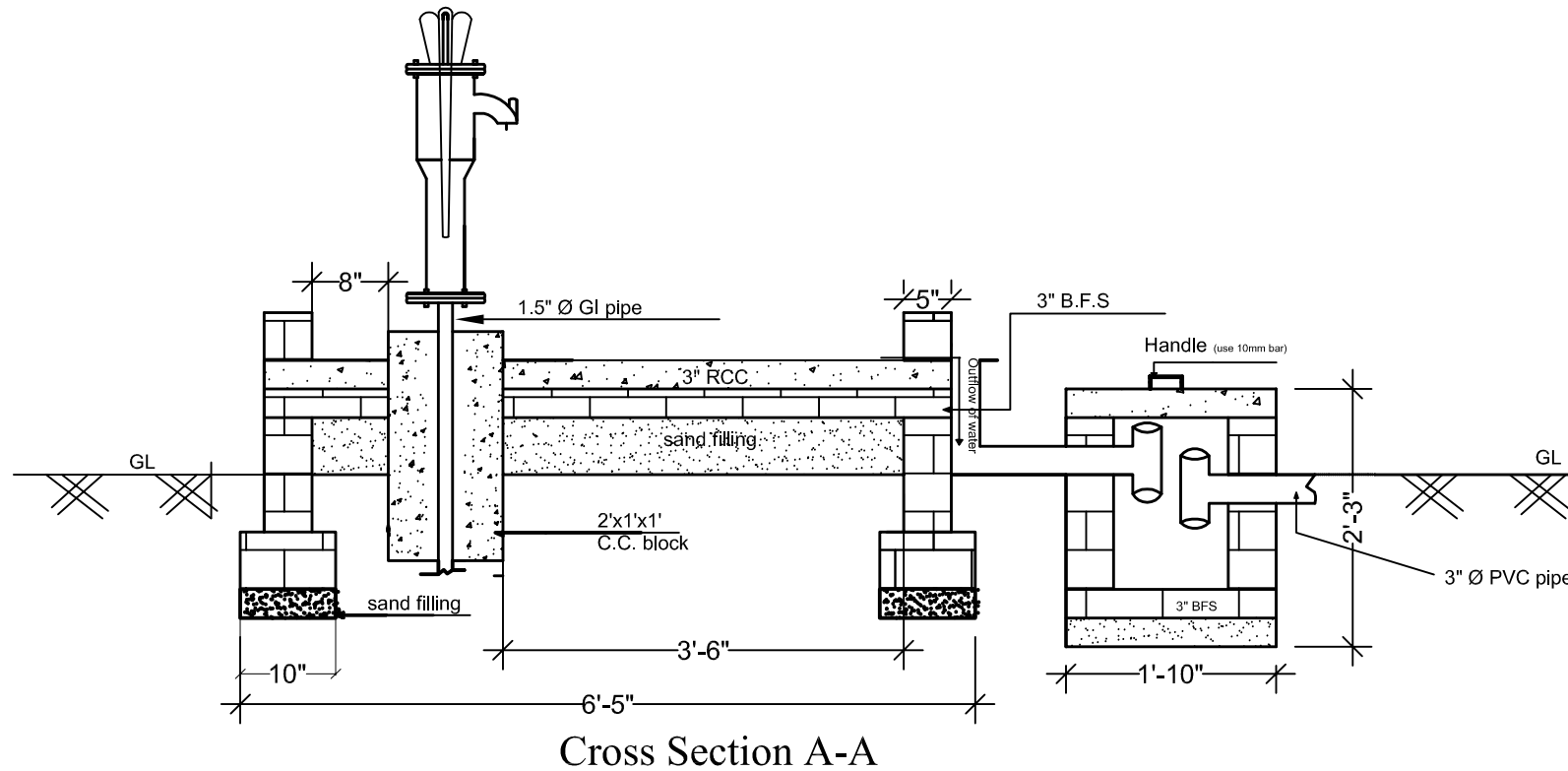
<p>Project: SKALA</p>	<p>Name of work & location: Construction of Shallow Shrouded Tube Well (SST) in Baharchora and Teknaf area.</p>	<p>Description of Drawing: Cross Section Y-Y for SST Pond</p>	<p>Design & drawn by: Sayed Ullah Md. Sayem Project Officer- WaSH German Red Cross</p>	<p>Checked & approved by: Michael Hossu Project Delegate, CXB German Red Cross</p>
----------------------------------	--	--	---	---



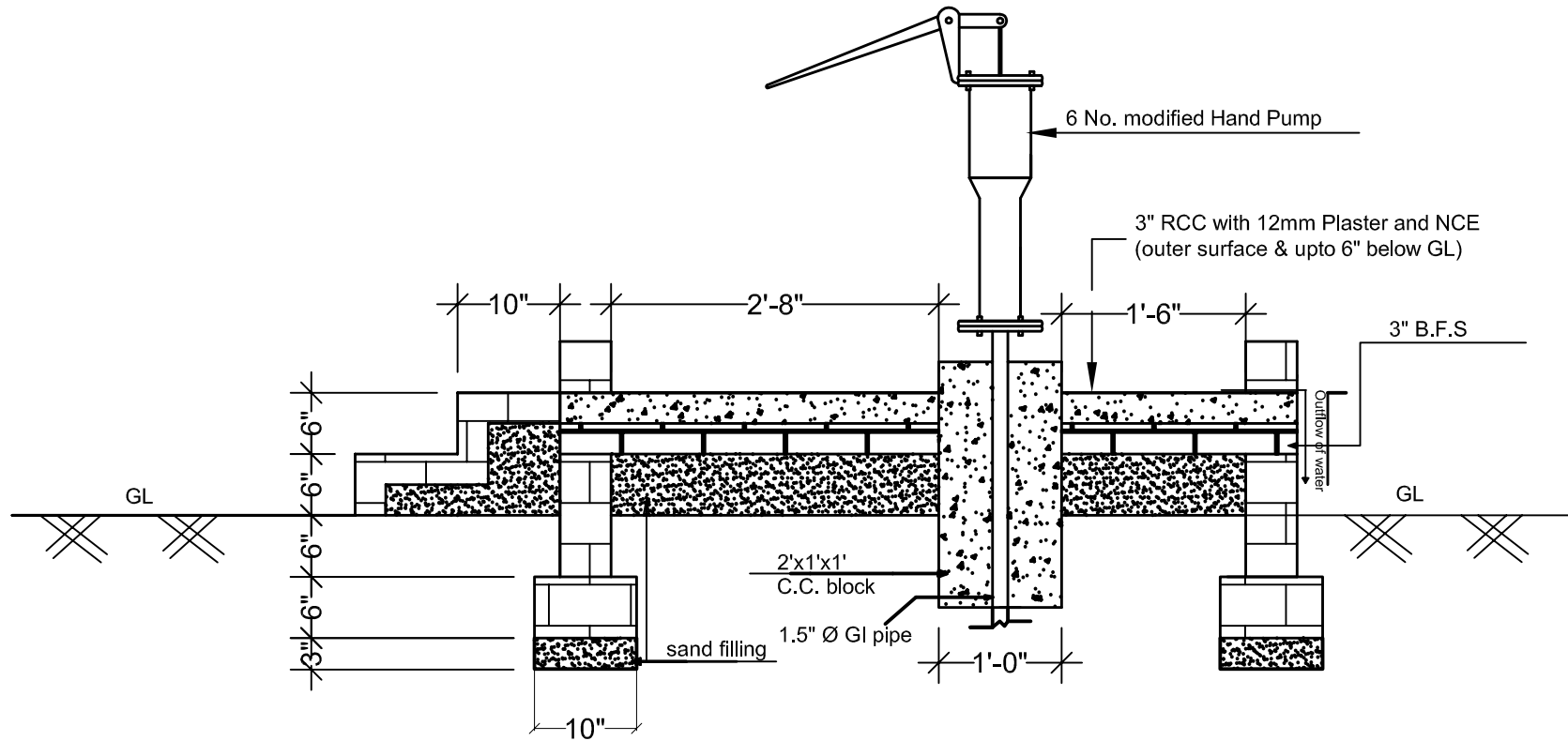
<p>Project: SKALA</p>	<p>Name of work & location: Construction of Shallow Shrouded Tube Well (SST) in Baharchora and Teknaf area.</p>	<p>Description of Drawing: Cross Section X-X for SST Pond</p>	<p>Design & drawn by: Sayed Ullah Md. Sayem Project Officer- WaSH German Red Cross</p>	<p>Checked & approved by: Michael Hossu Project Delegate, CXB German Red Cross</p>
---	--	--	---	---



Project: SKALA	Name of work & location: Construction of Shallow Shrouded Tube Well (SST) in Baharchora and Teknaf area.	Description of Drawing: Plan for SST Platform	Design & drawn by:	Checked & approved by:
			Sayed Ullah Md. Sayem	Michael Hossu
			Project Officer- WaSH	Project Delegate, CXB
			German Red Cross	German Red Cross



<p>Project: SKALA</p>	<p>Name of work & location: Construction of Shallow Shrouded Tube Well (SST) in Baharchora and Teknaf area.</p>	<p>Description of Drawing: Cross section A-A for SST Platform</p>	<p>Design & drawn by: Sayed Ullah Md. Sayem Project Officer- WaSH German Red Cross</p>	<p>Checked & approved by: Michael Hossu Project Delegate, CXB German Red Cross</p>
---	--	--	---	---



Cross Section X-X

Project: SKALA	Name of work & location: Construction of Shallow Shrouded Tube Well (SST) in Baharchora and Teknaf area.	Description of Drawing: Cross Section X-X for SST Platform	Design & drawn by:	Checked & approved by:
			Sayed Ullah Md. Sayem	Michael Hossu
			Project Officer- WaSH	Project Delegate, CXB
			German Red Cross	German Red Cross